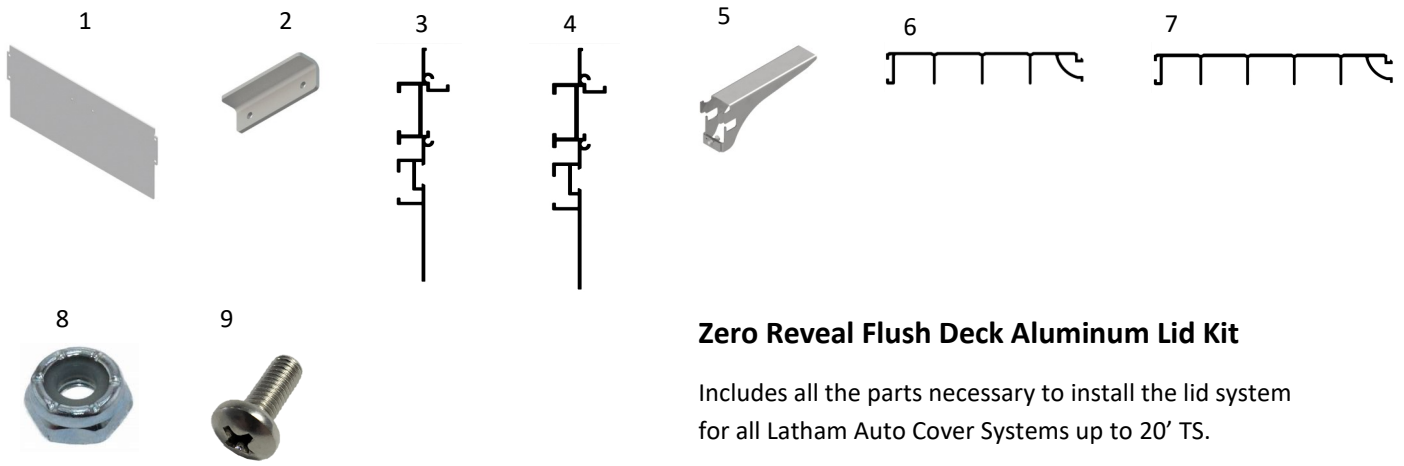




L9647—Zero Reveal Flush Deck Aluminum Lid Kit



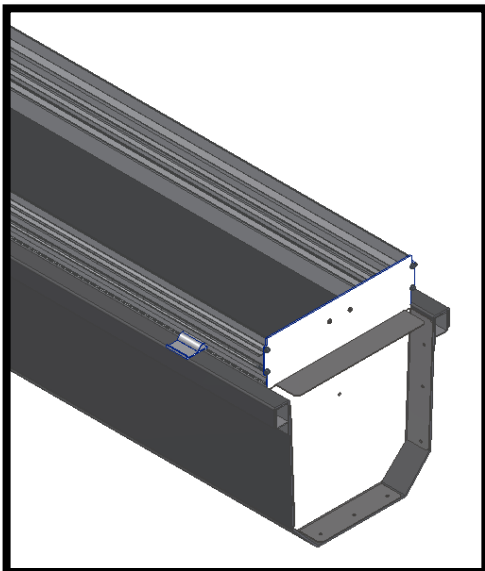
Zero Reveal Flush Deck Aluminum Lid Kit

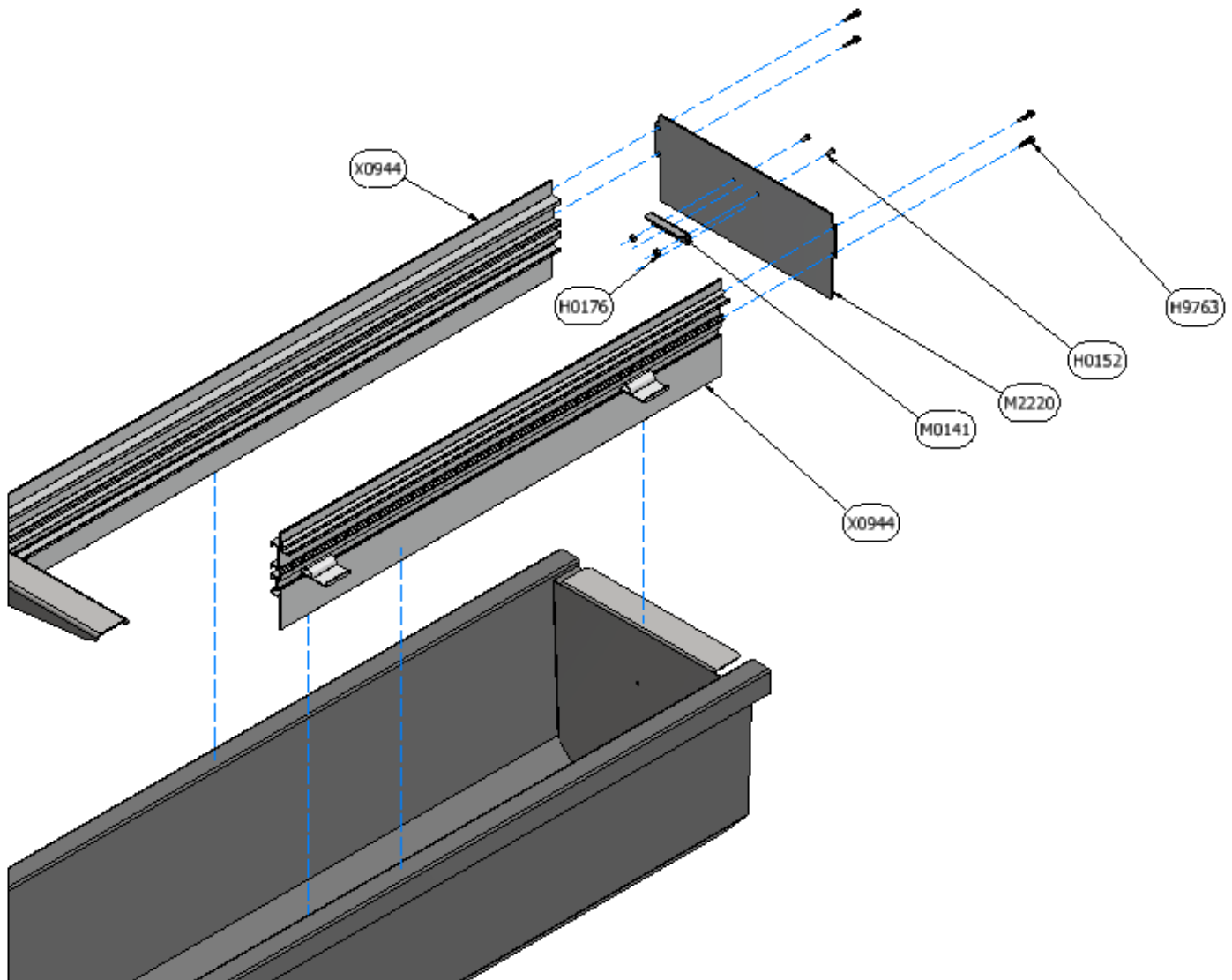
Includes all the parts necessary to install the lid system for all Latham Auto Cover Systems up to 20' TS.

1. M2220— Housing Raiser Zero Reveal End Cap—QTY:2
2. M2221—M2220 Housing Cap End Plate Support for Zero Reveal Flush Lid
3. X0212—Flush Lid Riser Zero Reveal—QTY: 1
4. X0211—Riser Panel, zero reveal 419 4' for water side—QTY: 1
5. A3409—Lid kit only flush, zero reveal 419 for 14in box—QTY: 4
6. X0008—6in. Flush Lid Panel—QTY: 1
7. X0009—7.5in Flush Lid Panel—QTY: 1
8. H0176—10-32 Nylock Nut—QTY: 4
9. H0152—Screw PPMS 10-32 x .5in.—QTY: 4
10. A2451—Flush lid, Zero reveal 419 hardware kit (Not Shown) QTY: 1
11. A2489—Quick Attach Mechanism Mounting Kit (Not Shown) QTY: 1

Tools Required

- 10" Chop saw with carbide blade
- Cordless Drill with 5/16 hex bit, #2 phillips bit
- 3/8" Wrench
- Square
- Tape measure





1. Cut X0211 to correct length (Not Shown)
2. Attach Box end to housing (Now Shown)
3. Attach X0211 to housing with H9763 TEK Screws
4. Attach endplate M2220 to X0211 with H9763 TEK Screws
5. X0212 needs to be cut into two pieces for ME & NME offsets
6. Attach X0212 to front side of housing with H9763 TEK Screws
7. Make sure end is square, attach X0212 to housing with H9763 TEK Screws
8. Attach M2221 to M2220 with H0152 & H0176 fasteners
9. It is critical that correct spacing of 13-3/4" — 13-7/8" is kept during deck finish for flush lid to fit correctly