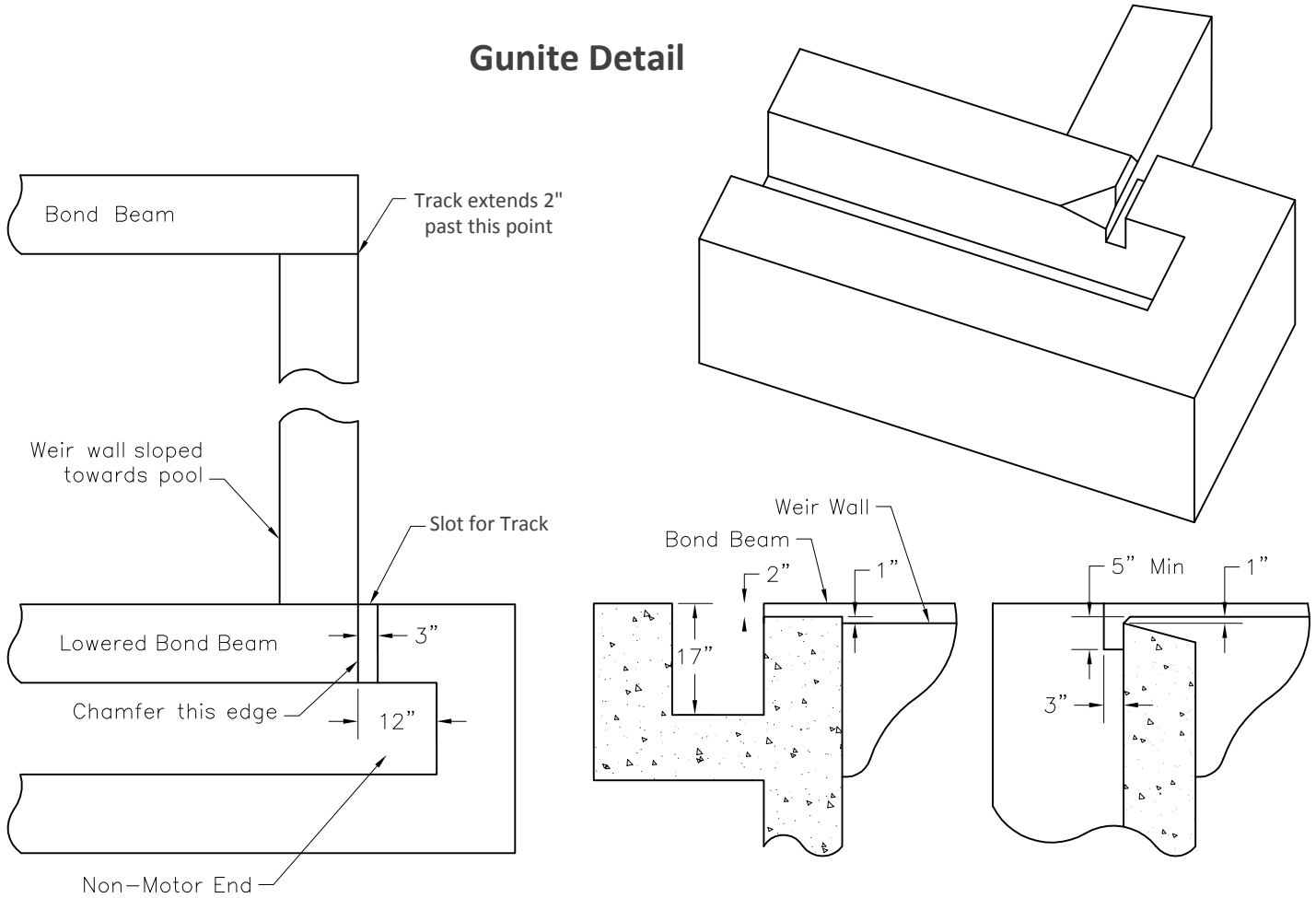


Vertical Vanishing Edge Vertical Negative Edge

Non-motor side offset is increased 12". Cover box depth is increased 3". Cover box may be drained to catch basin. Elevations specified are for pools with beams notched for encapsulation or drill-up track for non-vanishing edge side.

Gunite Detail



Finished Detail

