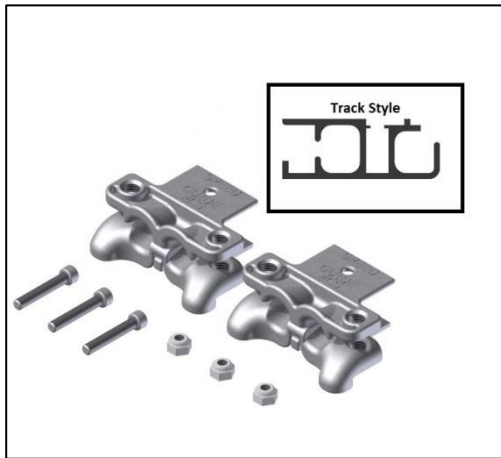


Guide Comparison Chart



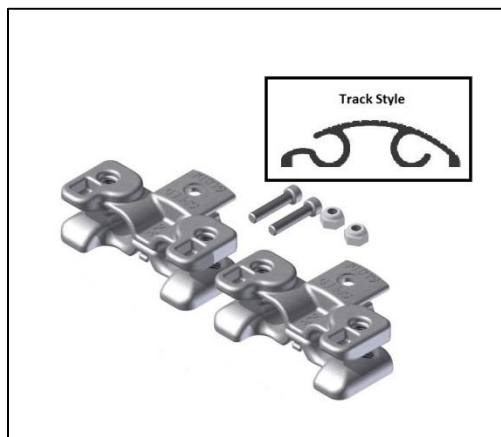
UT1060 - Under Track **Guide 403 Track Kit**

- Fits the new 403 under track X0820 available 2019. Includes mounting holes
- Material is stainless steel with large flanges to smoothly guide the cover into the track. Has tapped holes ready to receive the PCS sensor.



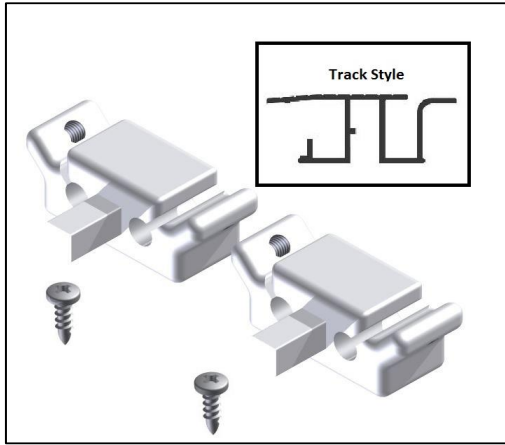
UT1010 - Under Track Stainless **Steel Speed Guide Kit**

- Fits PCS Standard Outside Slider 3 hannel tracks 55031 and 55063. The guide pivots together and requires a single 5/32 in. allen wrench to remove.
- Material is stainless steel with large flanges to smoothly guide the cover into the track. Has tapped holes ready to receive the PCS sensor. Replaces previous version.



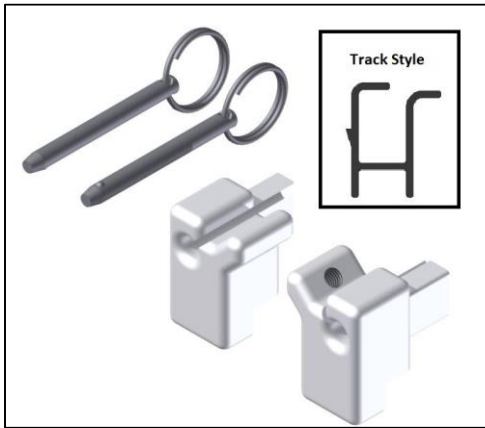
TT1010 - Stainless Steel Top **Track Speed Guide Kit**

- Fits PCS standard Snap-down Top Track and drilled 54817 and 54817-D. The guide pivots together and requires a single 5/32" allen wrench to remove.
- Material is stainless steel with large flanges to smoothly guide the cover into the track. Has tapped holes ready to receive the PCS sensor.



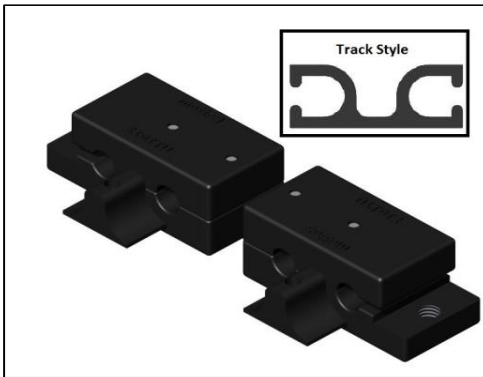
HR1005 - Horizontal Guide Replacement Kit

- Fits PCS Standard Horizontal Flush Top Track 55053.
- Material is nylon plastic. Has pre-tapped holes ready to accept PCS Auto-Stop Sensors.
- Includes screws for anchoring the guides.
- PCS recommends that guides be replaced the same time as a new cover installation.



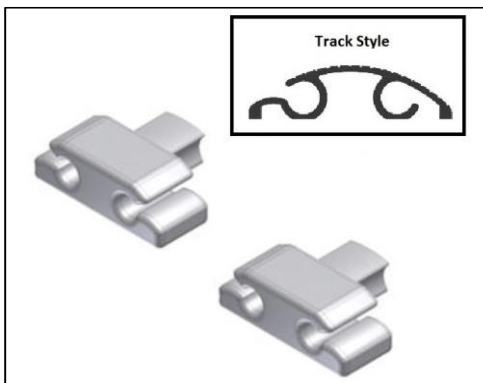
VFK121 - Vertical Flush Track Guide Kit

- Fits PCS Vertical Flush Top Track 54814.
- Material is nylon plastic. PCS vertical flush guides have pre-tapped holes ready to accept PCS Autostop Sensors.
- Includes new ring pins for anchoring the guides to the track. PCS recommends replacing at same time as a new cover.



UT1013 - Split Guide Assembly Kit (Old Style)

- Fits PCS old style 2 channel Drill-up Track 54821.
- Material is plastic. Guides have pre-tapped holes ready to accept PCS Autostop Sensors
- PCS recommends that the guides be replaced the same time as a new cover installation.



22360 - Guide for Serenity Swim Spa Cover

- Fits PCS standard Snap-down Top Track and drilled 54817 and 54817-D. Designed specifically for the Serenity Swim Spa manual cover.
- Material is nylon plastic.
- PCS recommends that the guides be replaced the same time as a new cover installation.