

## Manually Opening & Closing an Infinity 4000™ Automatic Swimming Pool Cover

Tools Needed: - 1/2" Drive Ratchet - (2) 9/16" Wrenches

Step 1: Remove the access panels (lids) on each side of the pool cover housing.

Step 2: Remove the 9/16" bolt connecting the drive shaft to the motor, this allows the gears of the mechanism to free spin. (Fig. 1) Note: There are two 9/16" bolts on the motor collar, either one can be removed.

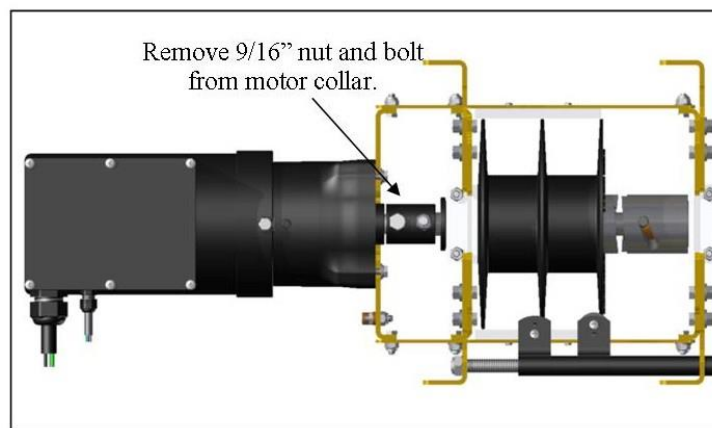
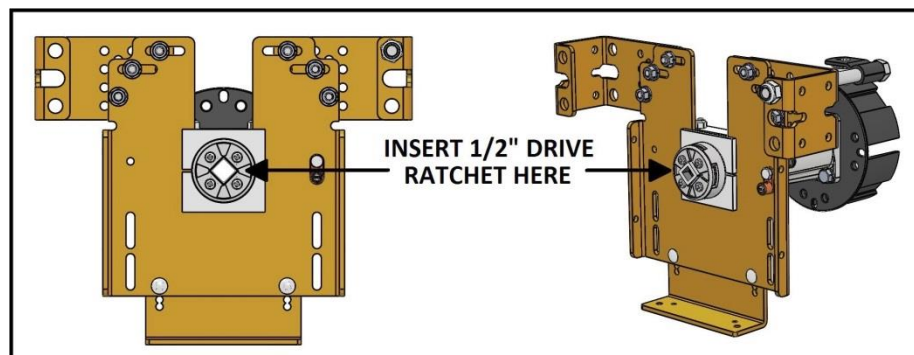


Fig. 1

Step 3: Move to the end opposite of the motor on the Infinity 4000™ Mechanism. Insert a 1/2" drive ratchet into the end casting of the roll-up tube, crank the ratchet in the direction needed to open the cover. (Fig. 2)

- Before rotating the roller-tube, remove the 9/16" nut and bolt from the motor collar.



### Closing Pool Cover

Follow Steps 1 & 2 then with a person on each side of the pool cover, pull the pool cover return ropes in unison until the pool cover is completely over the pool.