



Gunite and Top Track Molded Housing Installation Instructions

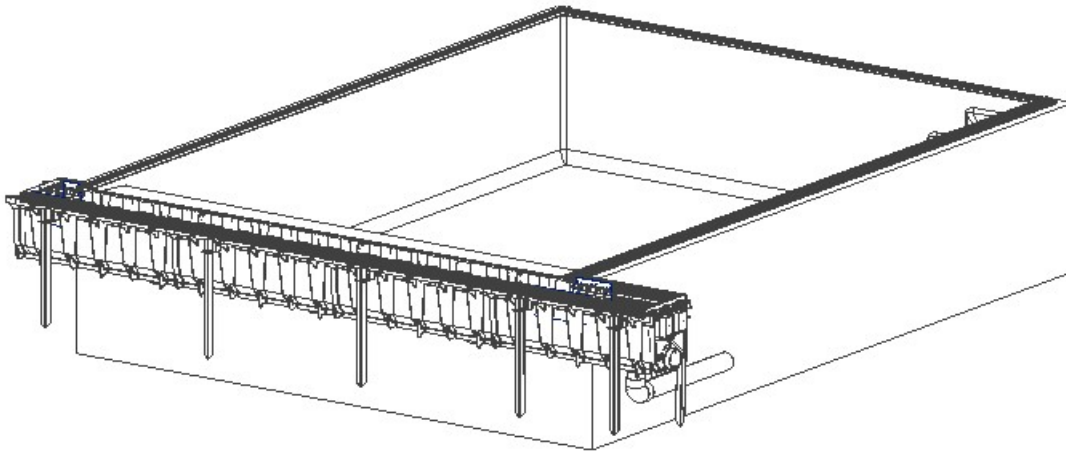


Table of Contents

Safety Information

Important safety instructions	1
Installation notes	2

Parts Description

Parts list and diagrams.....	2
Required tool list.....	2

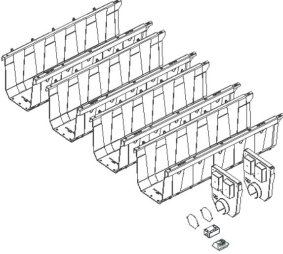
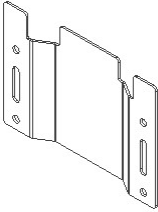
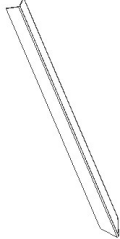
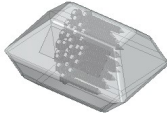
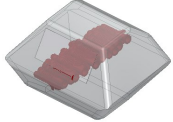
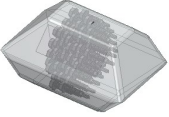

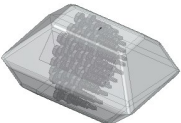
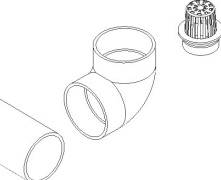
Operation

Gunite Installation procedures	3-7
Top Track Installation procedures.....	8-11

 WARNING! IMPORTANT SAFETY INSTRUCTIONS:

- READ AND FOLLOW ALL INSTRUCTIONS
- Installation shall only be performed by an pool installation technician. Improper installation could lead to bodily harm and failure of the components. Electrical conduit and lines shall be installed by a certified electrician.
- Proper protective equipment should always be worn for installation.
- Follow all tool manufacture safety guidelines and use safe tool practices.
- These instructions are specific to the housing installation. All other installation instructions should be followed.
- File away any exposed sharp edges. Failure to do so could lead to injury.
- Every housing must be installed with a drain. Failure to have a drain may void warranties

Parts Description—Gunite Pool Installations

1 	2 	3 	4 	5 
6 	7 	8 	9 	10 Electrical Conduit, Fittings & Wires

Parts List Part Quantities & Type May Vary Based on Pool Width & Pool Type

1. A4000-A4005—Molded Housing Kit. Includes M3995 Molded Housings, M3996 End Caps, H3991 Screw Kit, M3954 Drain Caps, E1079 Electrical Plate, E1069 Single Gang Junction Box, Backfill stickers - QTY: 1
2. M3930—Gunite Pool Housing Attachment Bracket—QTY: 8
3. M9793—Molded Housing Support Stake—QTY: 7
4. A1707—30pk Screw HHWSM 12 x 1.5in. With slot (H0331)—QTY: 2
5. A1705—Anchor plastic 60 Pk STD #12 (H0340) - QTY: 1
6. A3999—50 pk #12 x 1 inch Self Drilling Pancake Screw (H3991)- QTY: 1
7. L3991—Gunite and Top Track Installation Instructions - QTY: 1
8. A1746—30 pk - Screw HHW tek #10 x 2 in zinc (H9659)
9. NOT PROVIDED—4" Schedule 40 Drain Pipe, Fittings, Cleaner, Glue, Drain Grate.
10. NOT PROVIDED— Conduit, Fitting & Wires for Electrical Lines

Tools Required

- Cordless drill
- Square Bit—Size #2 SQ2
- 5/16 Hex Driver Bit
- Flat File
- Tape measure
- Marker
- Sawzall or Handsaw
- Hand Brush or Compressed Air
- Chop Saw with Aluminum Blade or Hack Saw
- 18" (or longer) Bubble Level

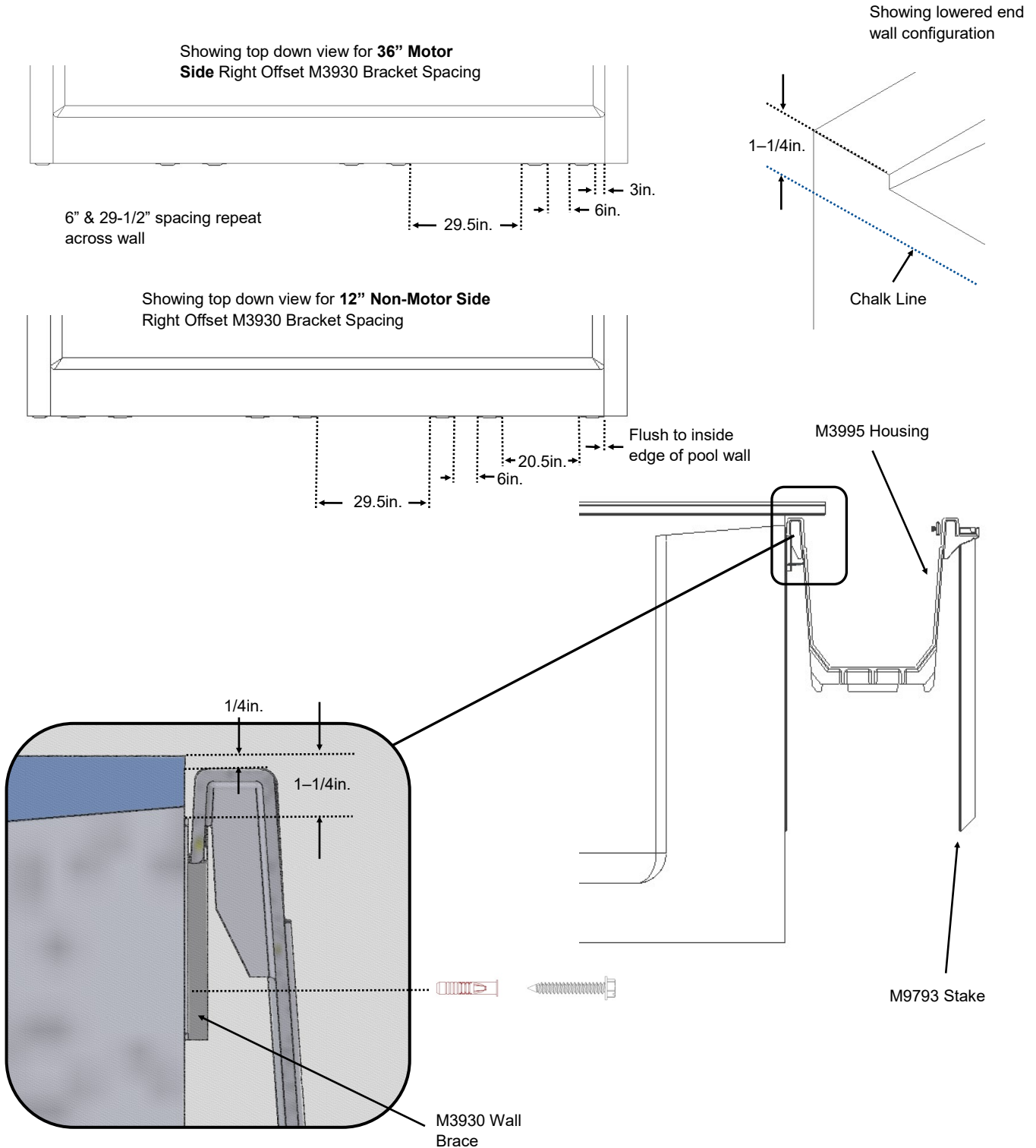
Tools Required

- Sledge Hammer
- Shovel
- Flat Head Screw Driver
- Right Angle Square
- Hammer Drill with 1/4" Drill Bit

Installation Procedures—GUNITE

NOTE: Follow all instructions! The gunite pool will be in place prior to step 1 of these instructions with the lowered end wall

Step 1: Flip chalk line across end wall 1-1/4" down from top of pool side wall. Make marks for bracket spacing locations. Anchor M3930 attachment brackets to pool wall with red anchor and 1-1/2" hex screws set to the chalk line. There will be two M3930 brackets per each full housing section anchored to pool wall. **Note: Always work from Right to Left. Note: Wall may not be straight and may require a straight line and shimming to make brackets straight & level across back wall.**



Installation Procedures—GUNITE

Step 2: Attach M3995 molded housing pieces to pool wall. **Note: Always start on the right side of the pool and work to the left.** RTV silicone can be used at housing joints if water resistant joints are desired.

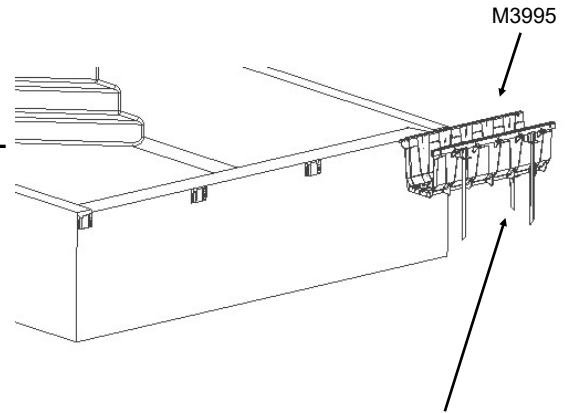
Drop-in housing the sections one piece at a time into M9330 brackets. The housing fits into a mating channel in the bracket. Once first piece is set into place proceed to set in place the remaining housing pieces.

- ME—Motor end side will have a 36" offset.
- NME—Non motor end will have a 12" offset.

Note: M3995 Housing with the 36" offset will use two A3991 braces to support the cantilevered housing end.

M3995 molded housings interlock into one another. See diagram 1

Housing has molded in indicator marks "POOL SIDE" & offset marks "12", "24" & 36". Offset mark aligns with the inside edge of the pool wall.



Showing a motor end right with 36" offset, with first M3995 housing set in place.

Note: May require digging out excess earth to make room for housing offsets.

Top Down View

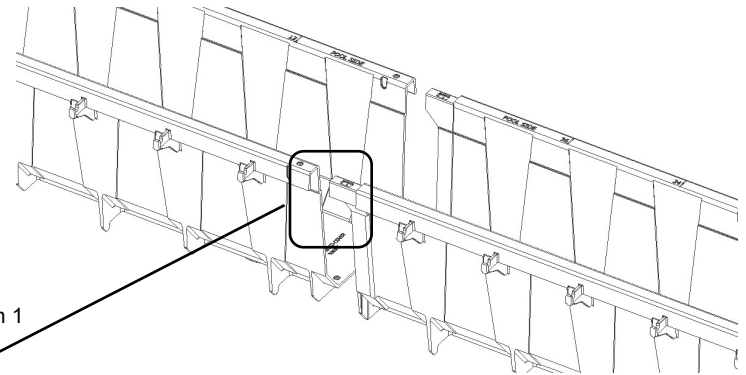
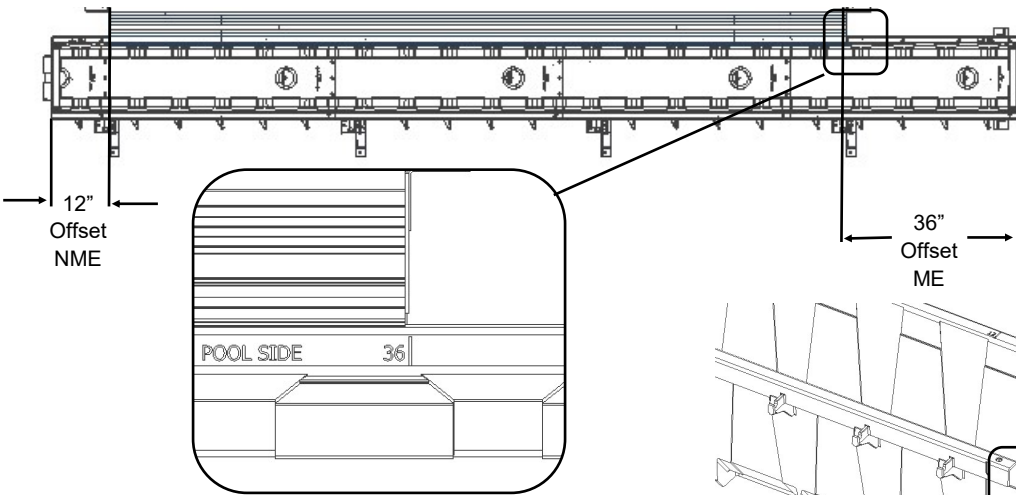
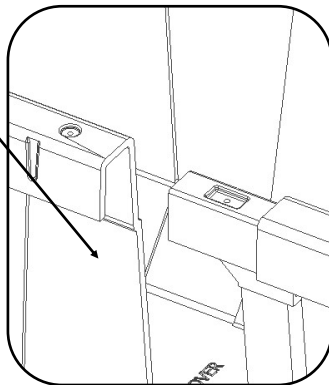
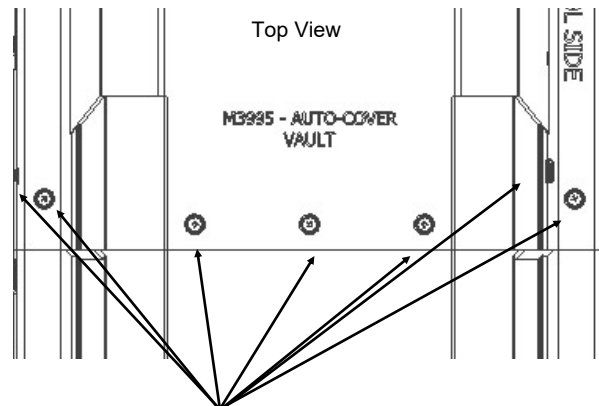


Diagram 1

Housings interlock with one another and are fastened in place with screws.



Top View



Screws are fastened into the molded in marks on the housing joints, locking the two pieces together.

Step 3: Set all housing pieces into place and screw together using H3991 self drilling screws. Housing has molded in indicator locations for screw locations

Installation Procedures—GUNITE

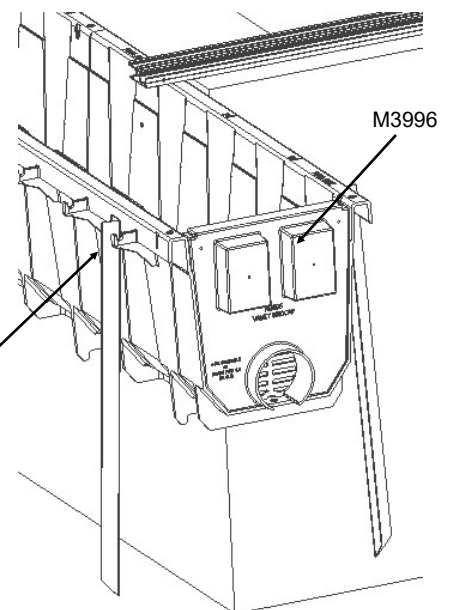
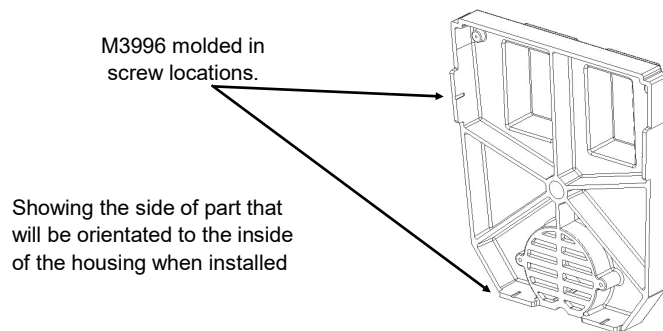
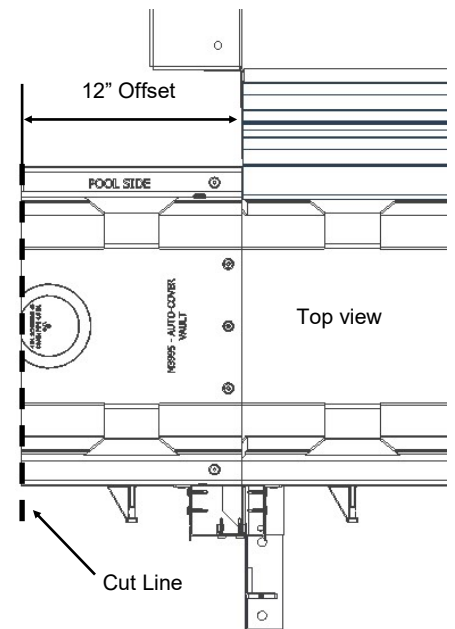
Step 4: Mark and cut housing to length. Attach both M3996 molded endcaps.

- ME—Motor end standard offset is 36"
- NME—Non motor end standard offset is 12"

Note: Housing will be cut down on the left side offset. Measuring from inside pool wall measure out desired offset and make a mark onto the M3995 housing. Transfer these cut marks across housing using tape measure and square, creating a cut line. Using a Sawzall or handsaw cut off excess material.

Note: If excess housing material is minimal removing the excess may not be required. Excess can be backfilled and buried.

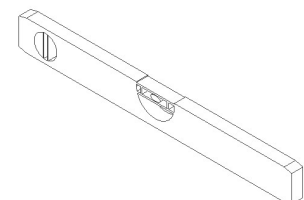
Attach the two M3996 molded endcaps. The caps are orientated flush to the end of the housing as shown in the model. There are molded in indicator locations where the H3991 Screws will be placed using a drill and SQ2 square drill bit. Additional screws can be added as necessary. Use right angle square to ensure M3996 end caps are square to the housing.



Step 5: Attach M9793 stakes evenly across back edge of housing. On the 36" motor end cantilevered housing, use two M9793 stakes to support each end. One on each side of the housing. **Note: This may require excavation to attach braces and stakes.**

The stakes are driven into the earth using a sledge hammer and then fastened to the brace using a minimum of 2 screws in each brace. With braces attached level and straighten housing end.

Step 6: Level and straighten the housing front to back side to side. While the housing should be level and straight at the point in the installation it is good to reaffirm everything is level and straight. Failure to do this at this step can lead to complications in the rest of the installation.



Installation Procedures

Step 7: Electrical, drain & optional re-bar (not provided) installation.

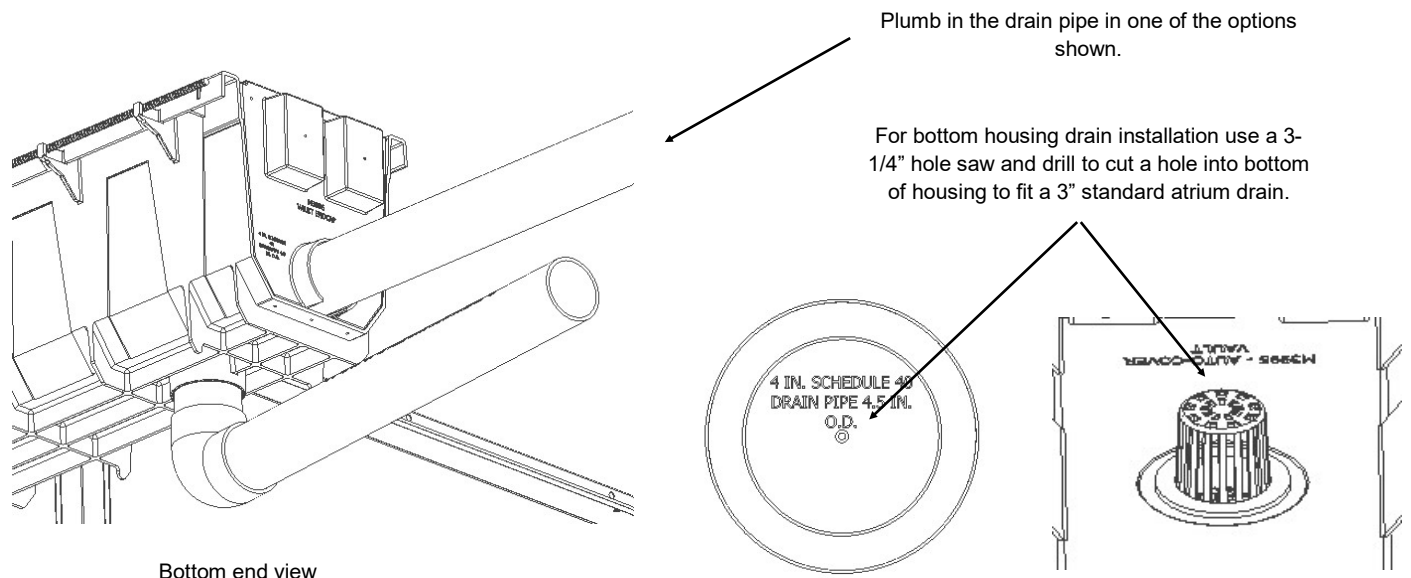
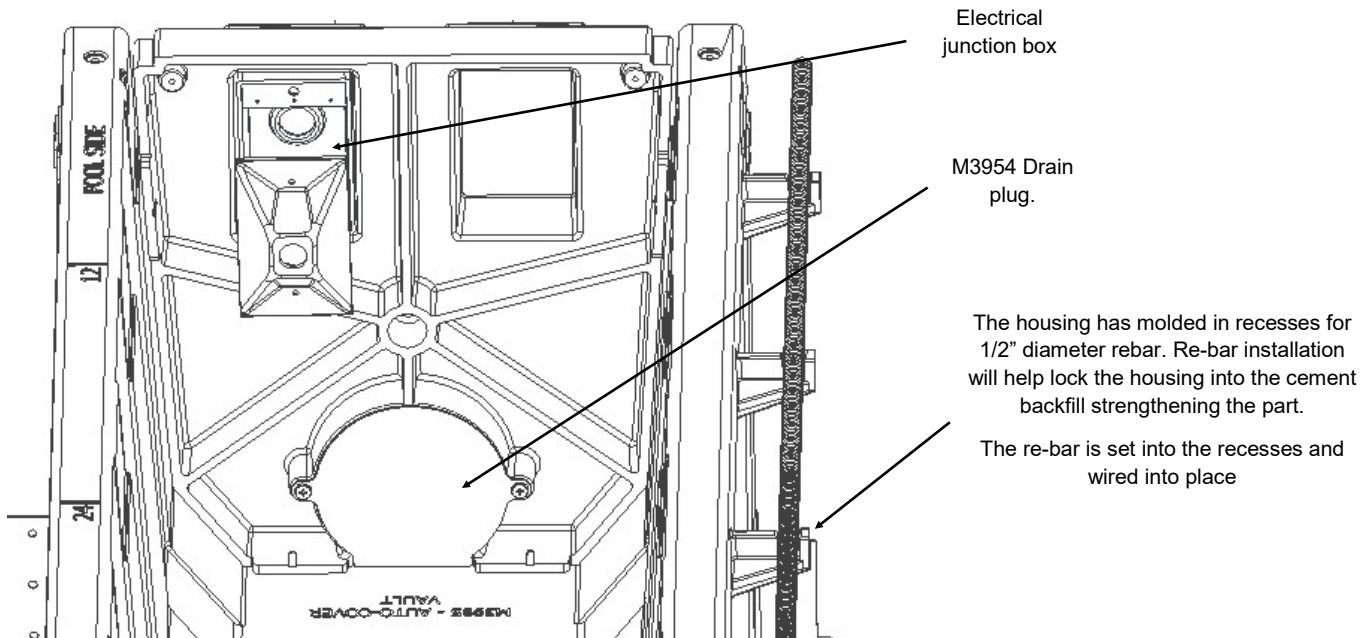
The M3996 molded endcap has a molded in recess specifically for a single gang junction box. The housing kit includes this junction box and lid. **Note: The box and lid are to be installed by a certified electrician in compliance with national and local codes.**

Note: A drain is required with every housing installation! The housing has multiple molded in drain ports in the M3996 end caps and M3995 housings. The drain port on part M3995 housing are to be used as the standard option on all housings. The drain should only be installed into the endcap when the first option is unavailable.

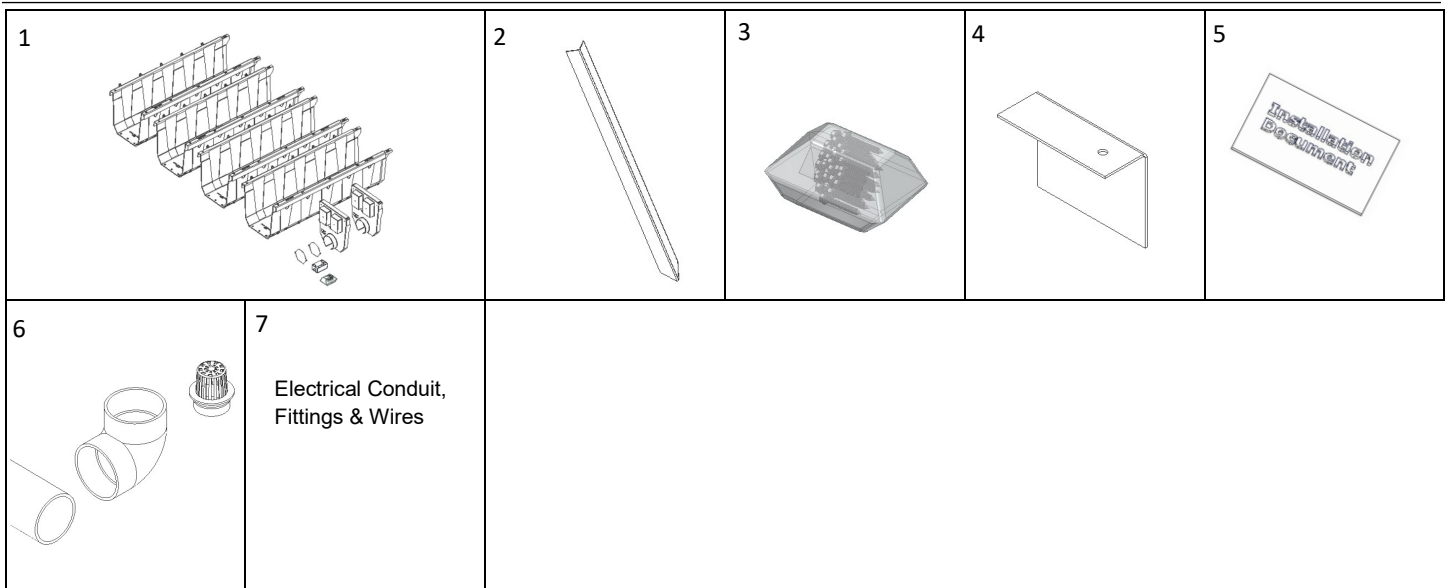
Drain components are not provided with the housing installation kit and must be provided by the installer. **Note: Drain size: 4" schedule 40 drain pipe.**

Attach drain pipe to housing using H3991 self drilling screws. Drain installation should follow pipe manufactures recommendations.

Install M3954 drain plug onto each end of the M3996 housing using two H3991 screws. RTV silicone can be used if a water resistant fitting is desired.



Parts Description—Top Track Pool Installations



Parts List Part Quantities & Type May Vary Based on Pool Width & Pool Type

1. A4000-A4005—Molded Housing Kit. Includes M3995 Molded Housings, M3996 End Caps, H3991 Screw Kit, M3954 Drain Caps, E1079 Electrical Plate, E1069 Single Gang Junction Box, Backfill stickers - QTY: 1
2. M9793—Molded Housing Support Stake—QTY: 10
3. A1721—60pk #12 x 1in. HHW tek Screw (H9777) - QTY: 1
4. M9235—Polymer housing stake attachment bracket—QTY: 10
5. L3991—Installation Instructions
6. NOT PROVIDED—4" Schedule 40 Drain Pipe, Fittings, Cleaner, Glue, Drain Grate.
7. NOT PROVIDED— Conduit, Fitting & Wires for Electrical Lines

Tools Required

- Cordless drill
- Square Bit—Size #2 SQ2
- 5/16 Hex Driver Bit
- Flat File
- Tape measure
- Marker
- Sawzall or Handsaw
- Hand Brush or Compressed Air
- Chop Saw with Aluminum Blade or Hack Saw
- 18" (or longer) Bubble Level

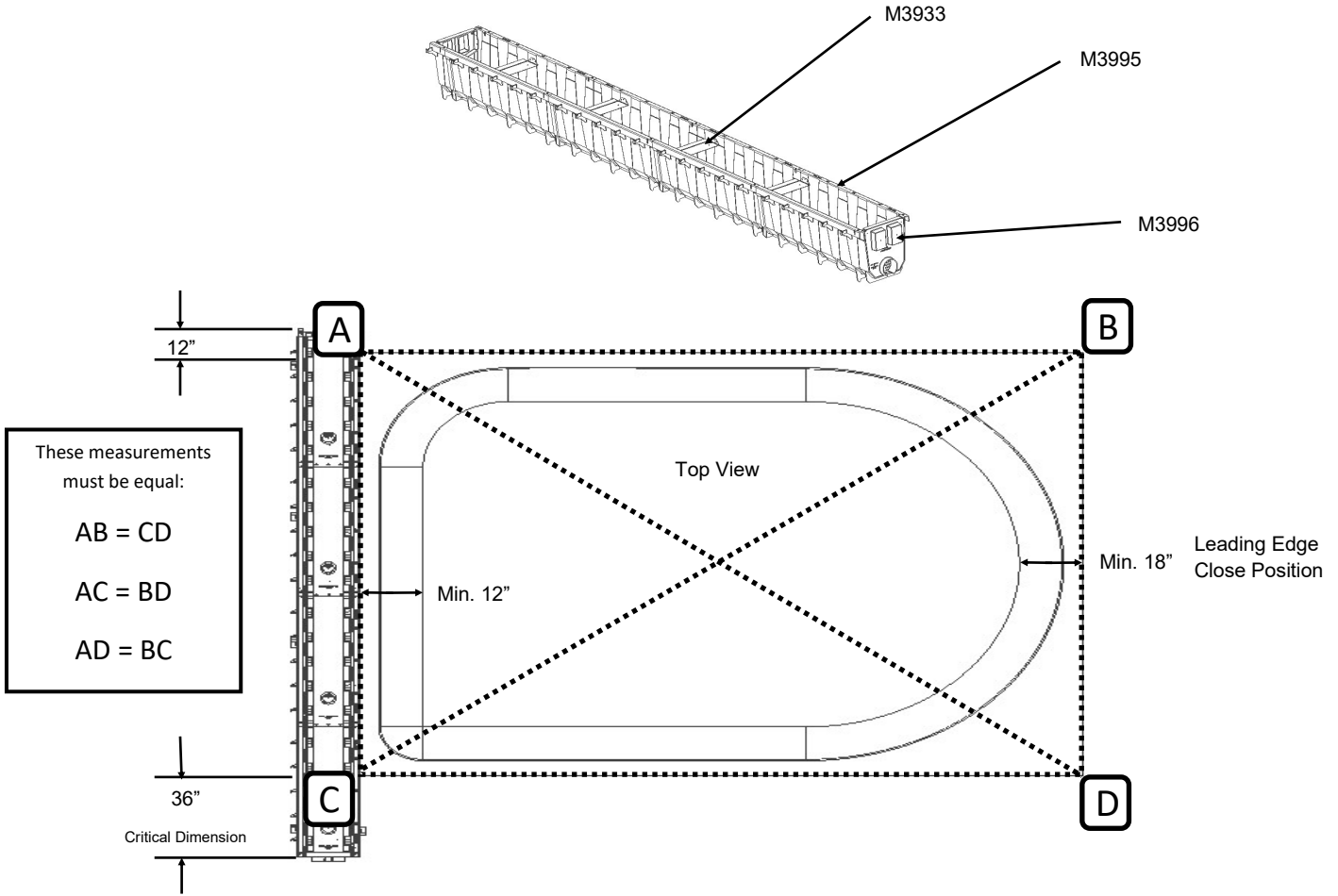
Tools Required

- Sledge Hammer
- Shovel
- Flat Head Screw Driver
- Right Angle Square
- Hammer Drill with 1/4" Drill Bit

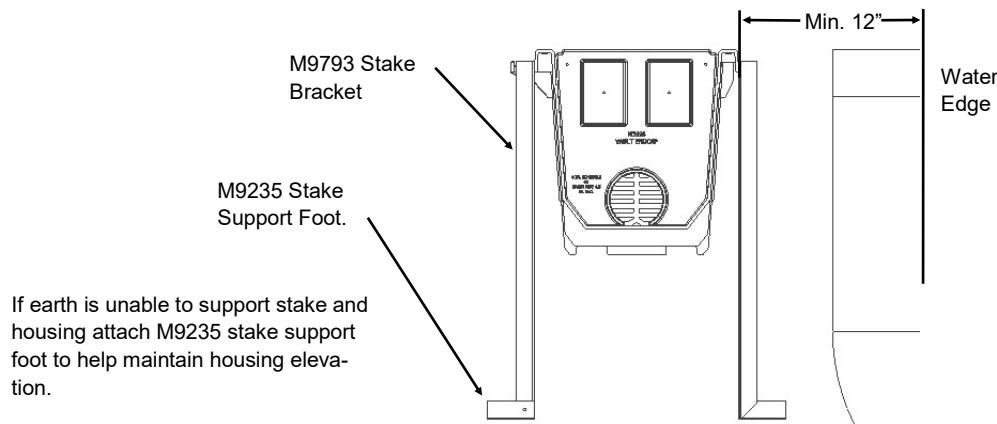
Installation Procedures—Top Track

Step 1: To determine cover size, housing side & position use string or measuring tapes to create a pure rectangle around the pool.

Step 2: Position the housing at the end of the pool with a 36" offset for the motor end and a 12" offset for the non-motor end. Set the polymer housing back a minimum of 12" from the nearest water side of the pool wall. Screw all M3995 housing sections together with H3991 screws. Attach M3933 Backfill support braces and M3996 end caps. See pg. 5 step 4 for further details on cutting down housing to length.



Standard Top Track Mounting Option



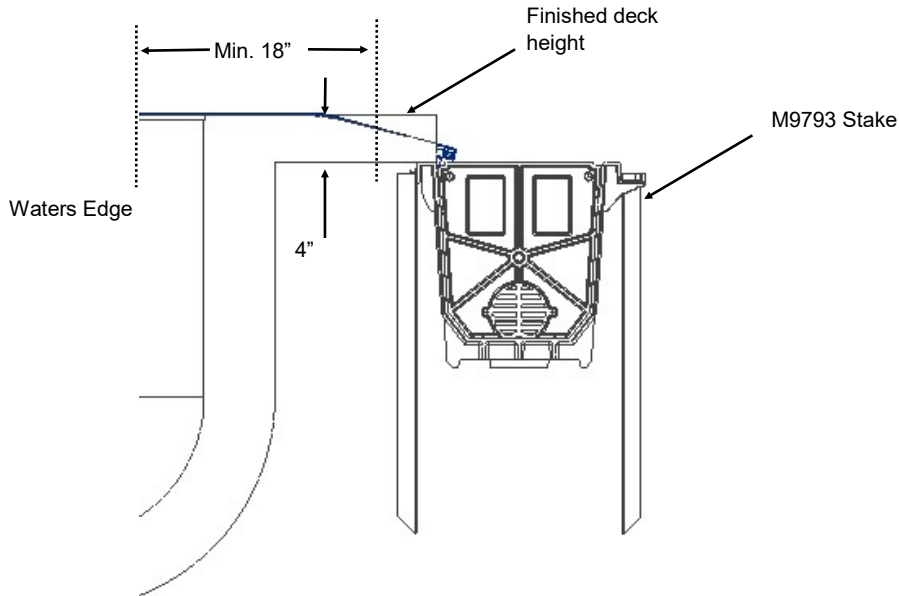
If earth is unable to support stake and housing attach M9235 stake support foot to help maintain housing elevation.

Installation Procedures—Top Track

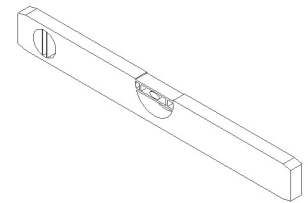
Step 3: Attach M9793 stakes to housing using self tapping screws with a minimum of two screws per stake. Evenly space brackets on front and back side of the housing.

Step 4: Fasten an attachment M9235 bracket foot to the base of each steel stake to prevent sinking further into the ground.

Showing standard Recessed Top Track
Mounting Option with Curved Track



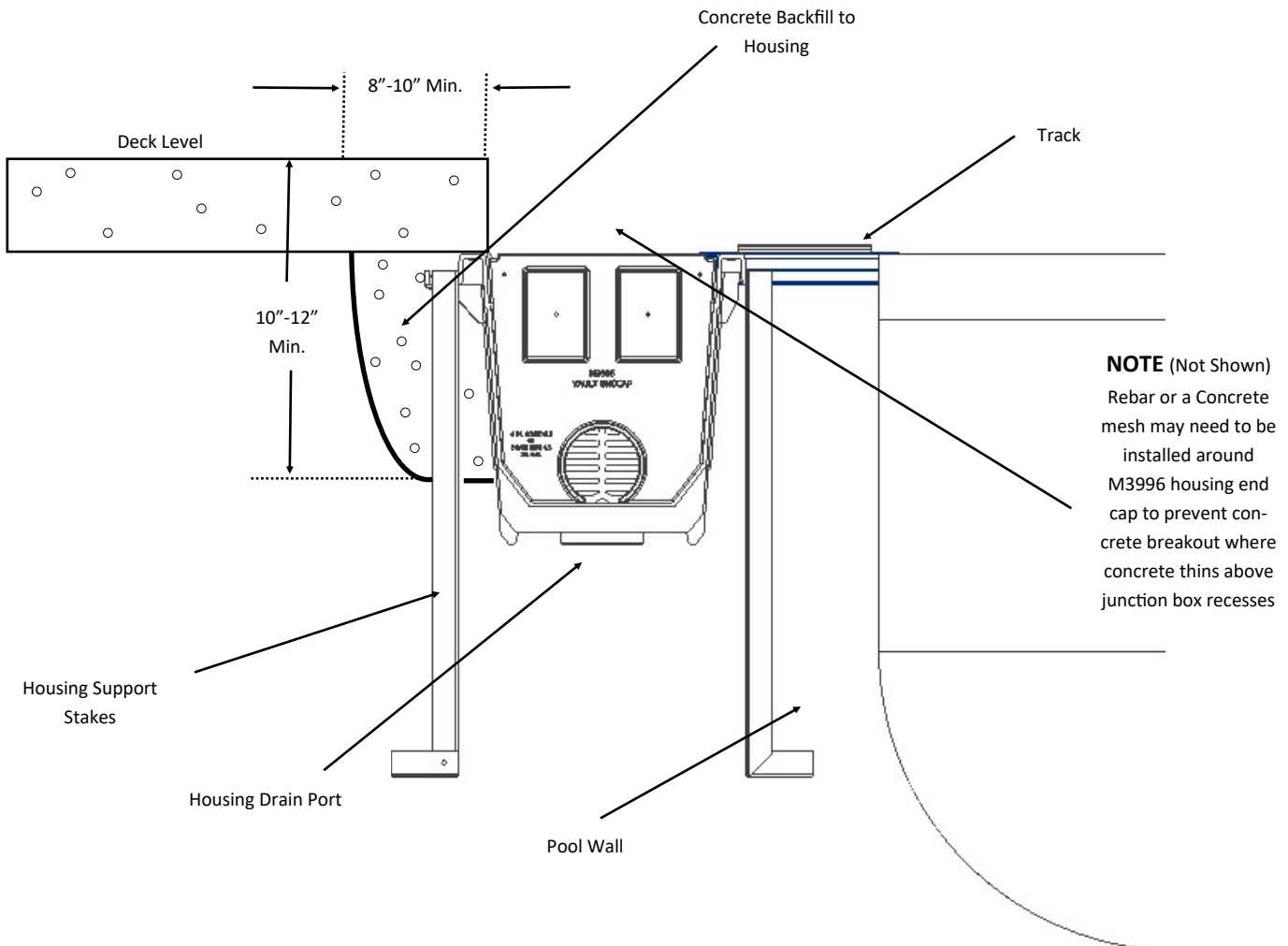
Step 5: Level and straighten the housing front to back side to side. While the housing should be level and straight at the point in the installation it is good to reaffirm everything is level and straight. Failure to do this at this step can lead to complications in the rest of the installation.



Step 5: Refer back to pages 6-7 for final installation steps for the electrical and drain information.

The housing installation is now complete and ready for backfill and concrete to be poured.

Installation Procedures—Concrete Backfill



Note: The concrete backfill is critical to lock the housing into place and to properly support the lid & lid brackets when anchored into the housing. Failure to pour this concrete cap around housing may cause housing or lid brackets to pull loose from deck.

Note: M3996 end cap may need re-bar or a concrete mesh installed to prevent concrete breakout where the electrical junction boxes recess out and concrete may get thin.