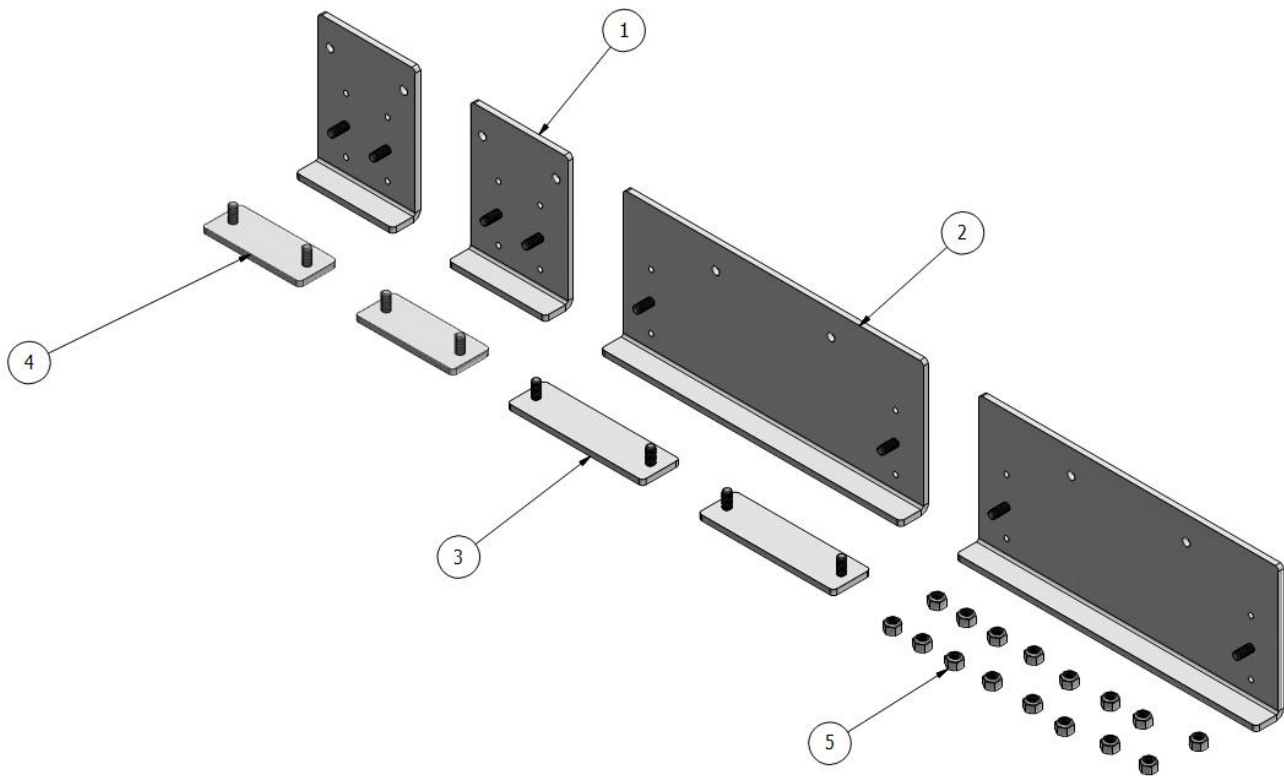


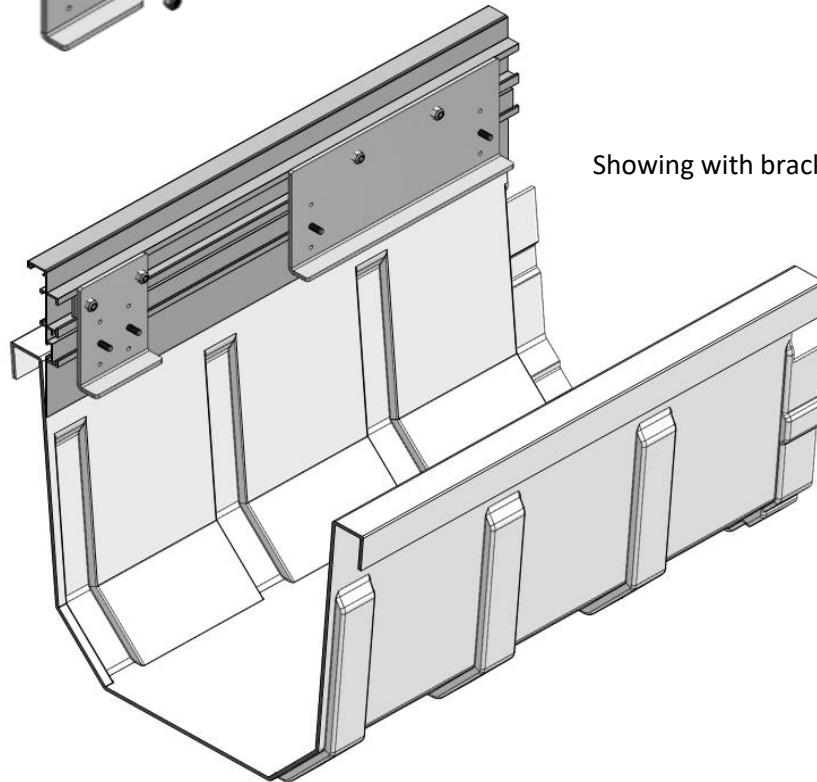
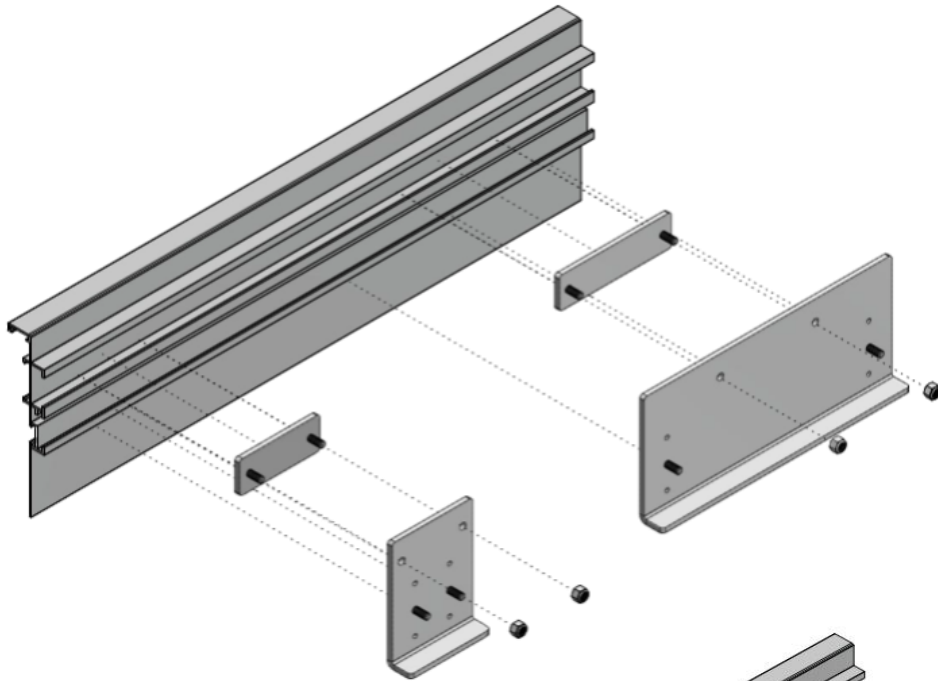
Installation Instructions for Infinity 4000 QuickAttach Brackets

ITEM	QTY	PART NUMBER	DESCRIPTION
1	2	M3388	Infinity 4000 Opp End Attachment Bracket
2	2	M3387	Infinity 4000 Motor End Attachment Bracket
3	2	M9470	QuickAttach Anchor Plate
4	2	A3460	QuickAttach Bracket
5	16	H0276 (33211)	¼-20 Stainless Nylock Nut



STEP 1: Attach QuickAttach plates to box perimeter extrusion.

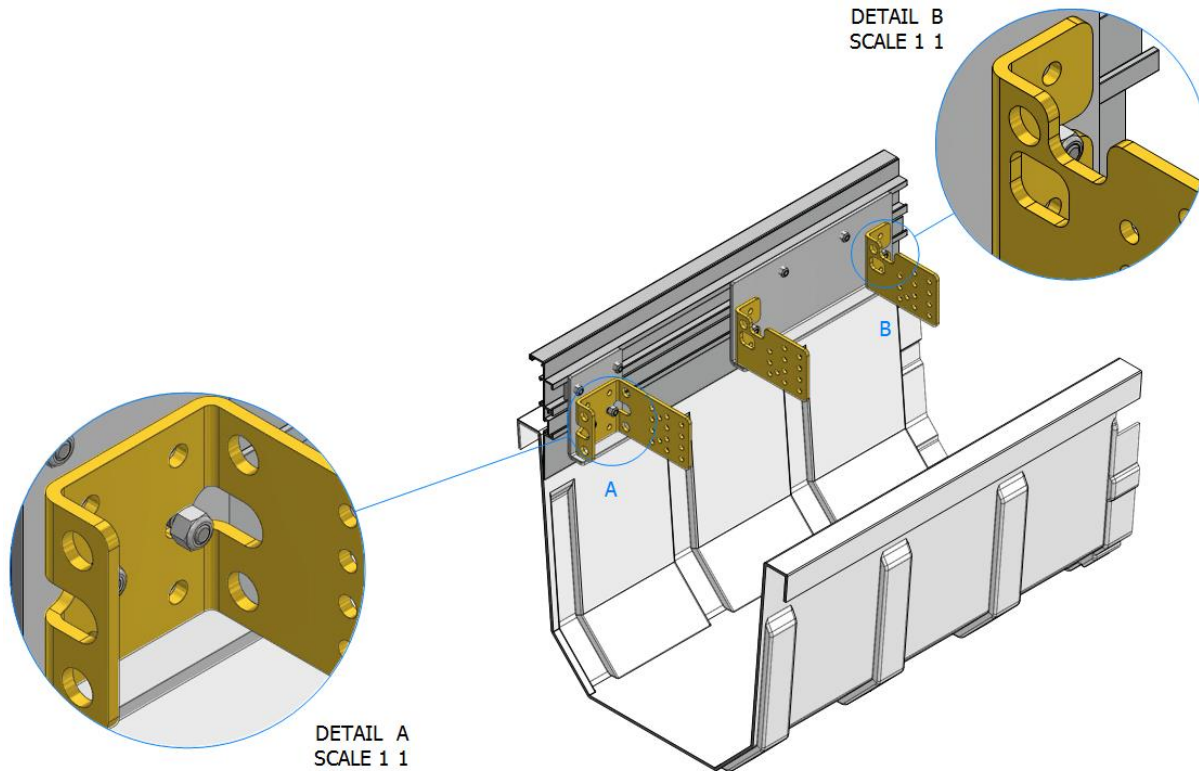
- The 2 longer plates will get attached to the box perimeter on the motor end.
- The 2 shorter plates will get attached to the box perimeter on the non-motor end.
- Be sure to not completely tighten down lock-nuts at this step. QuickAttach bracket may need to move.



Showing with brackets attached.

Step 2: Attach Infinity 4000 mechanism to QuickAttach brackets.

- Adjust the Infinity 4000 mechanism brackets out to the spacing of the housing (Approx. 11-7 8").
*Non-motor end bracket will have to be adjusted after mechanisms in the housing.
- With the Infinity 4000 adjusted it should now be able to be dropped into the housing and rest on the brackets.
- Do a final adjustment and attach nylock nuts and completely tighten all the nylock nuts, locking the mechanism into place.



Infinity 4000 mechanism is not shown. Actual installation will be the full mechanism, not just the brackets.