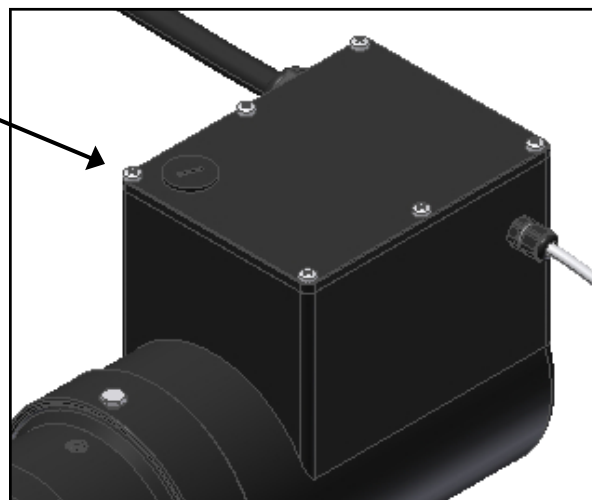


Procedure for Replacing PCS Motor Control Boards

Step 1: Before performing any procedure involving the motor or its components, **always make sure no power remains in the unit.**

Step 2: Use a Phillips screwdriver to remove the six screws that secure the motor canister lid.

Step 3: Use a small screwdriver or razor blade to cut through the silicon seal that secures the canister lid to the canister. Use the screwdriver to carefully pry the lid from the canister. **NOTE: Do not apply too much pressure while removing the lid. Too much pressure could cause cracking.** Lift the lid from the canister.



Step 4: Locate the three wiring harnesses that have been “plugged in” to the control board. Squeeze the end flanges of each harness to release them from the control board. Remove the control board from the canister.

Step 5: Locate the new, replacement, control board. Re-insert all three wiring harness plugs in to the correct plug receptacles on the new control board. **NOTE: All harness plugs and receptacles are specifically shaped. The plugs cannot be inserted into any incorrect receptacle; nor can they be inserted incorrectly into the correct receptacle.**

Step 6: To test the unit: Set the lid in its correct position on top of the motor canister. **DO NOT SECURE THE LID AT THIS TIME.** Restore power to the unit and operate the cover several times to make sure it runs properly.

Step 7: **Turn off power to the unit before proceeding.** Lift the lid from the canister and spread a small amount of silicone around the entire perimeter of the lid. Make sure the silicone is fully spread around the inside groove of the lid and in the screw holes.

Step 8: Set the lid in its place over the canister. Carefully secure the six screws. **NOTE: Do not over-tighten the screws; over-tightening could cause cracking.**

Step 9: Wipe any excess silicone from the canister and canister lid. Restore power to the unit.