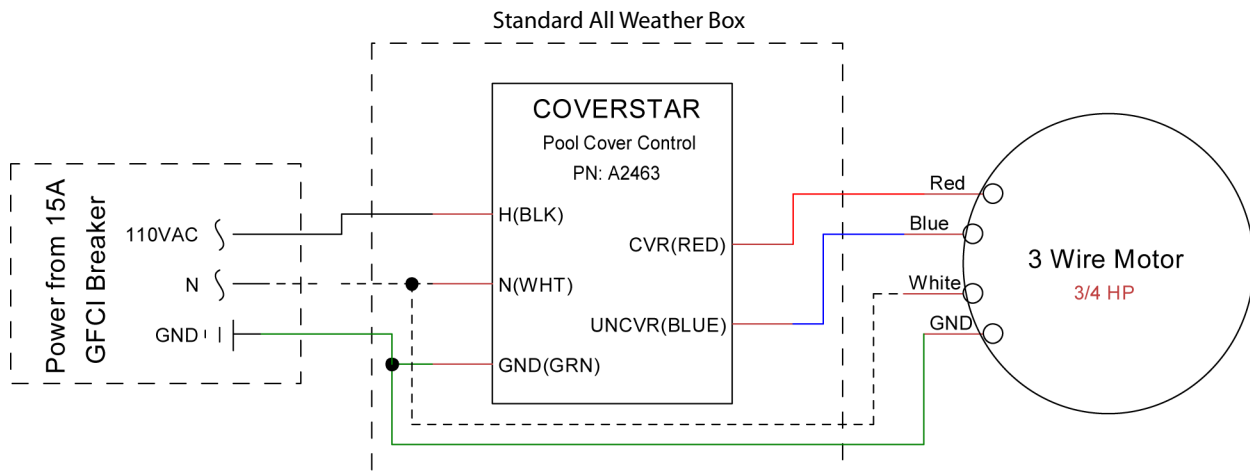


WIRING INSTRUCTIONS - 110VAC 3 WIRE MOTOR USING THE TOUCHPAD POOL COVER CONTROLLER A2463/A2469



Installation Notes:

- * The control switch is mounted in a standard depth single gang all weather box.
- * Motor connections are made in an all-weather box mounted as high as possible in the cover box.
- * Use **water tight connections** at all wire junction locations.
- * The control switch **must be** mounted in a location where 100% of the pool surface is visible.
- * The Red and Blue wires from the motor connect to the directional wires on the controller. The red and blue wires may be switched with each other to change the motor direction.

- * The power circuit should be sized for 15 amps and must be sized accordingly.
- * Use a 15amp GFCI breaker at the panel.
- * Perform a pool calibration on touchpad after installation for accurate current limits and operational cycle counts.
- * Wifi enabled units (A2463) require a wifi network to be present and associated to the device to receive alerts.

Please see programming instructions for further details.

Troubleshooting Tips:

- * If the power does not come on the display check the power supply for 110v.
- * If the power comes on the display but the motor does not run at all, check the neutral wire and its connections.
- * Disconnect wires from the controller and test for all connections for continuity
- * Using a test cord, disconnect wires in the all weather box and connect the neutral wire to the white motor wire

and connect the hot wire to the red motor wire. The motor should run. Then switch the hot wire over to the blue motor wire. The motor should run in the other direction. If the motor runs in both directions using this method, the trouble is in the components or wiring leading up to that point in the system.