

CS300HD SPA SYSTEM SPECIFICATIONS

A=Cover roll-up tube Specifications:

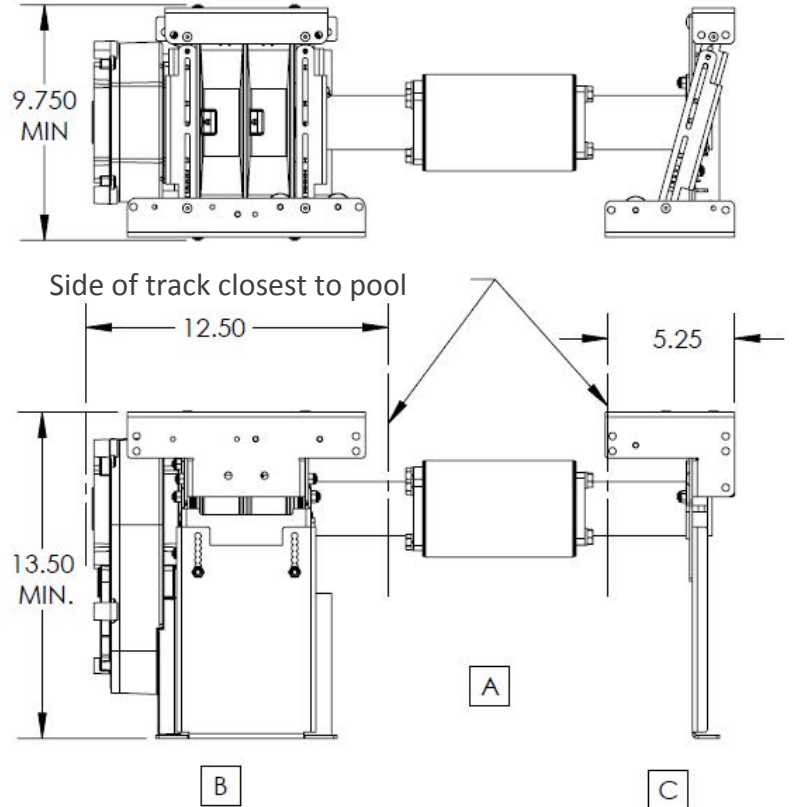
Diameter: 4 inches
 Length: 3 inches less than the distance between the tracks

B=Mechanism Specifications:

Length: 12-1/2 inches*
 Additional clearance needed for junction box
 Width: Minimum width 9-3/4 inches
 Maximum width 14-1/4 inches
 Height: 13-1/2 inches Minimum

C=Non-motor end Specifications:

Length: 5-1/4 inches*



Leading edge Tube Specifications:

1" Flat Bar
 Under Track Length is 6 inches less than the distance between the tracks
 Top Track Length is 3 inches less than the distance between the tracks

Maximum size specifications

Width – 12 ft
 Length – 24 ft

*All dimensions on length are from the side of the track closest to the pool
 Additional room recommended for ease of access.