

SECTIONS

Standard Top Track.....	4-6
Recessed Horizontal Track (optional)	7-8
Mechanism.....	9-12
Cover Fabric	13-18
Classic Aluminum Lid.....	19-20
Home Owner Checklist..	21
Installation Check List	22

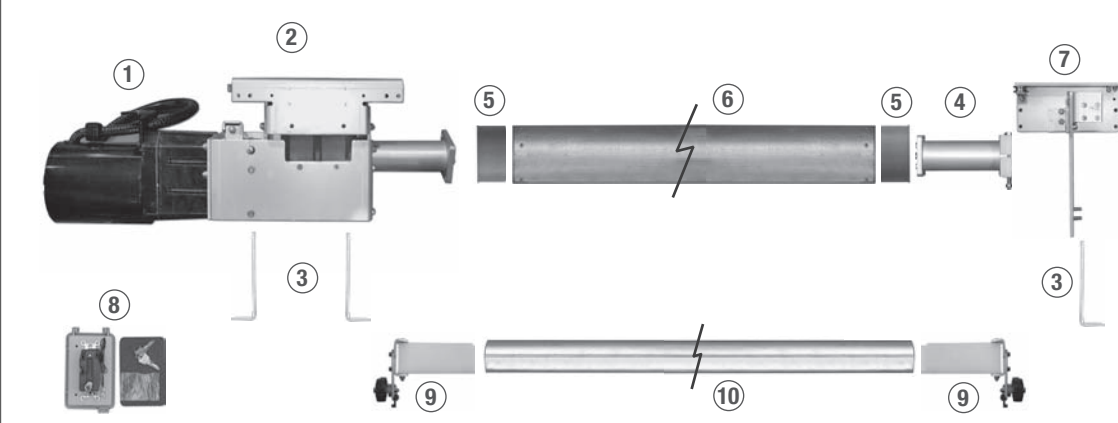

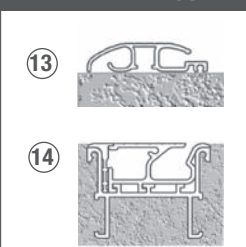
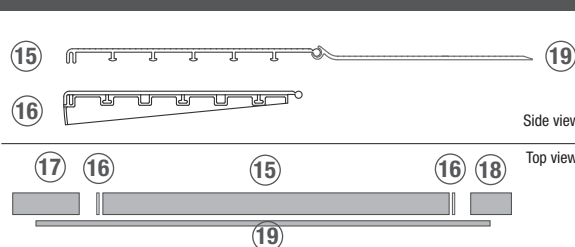
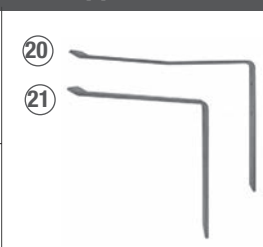


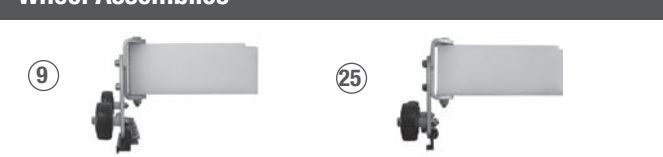





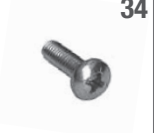

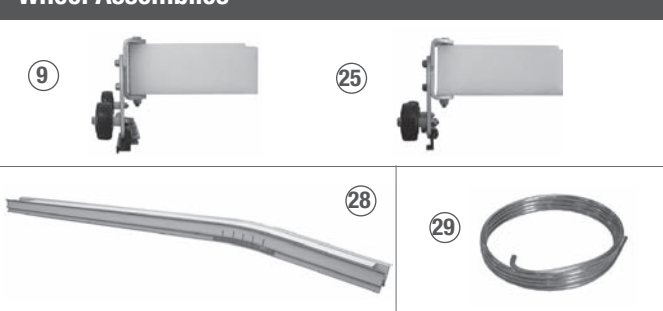












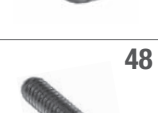
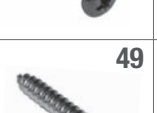
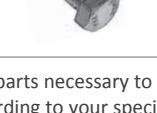
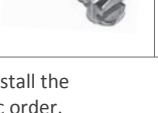
Tools Required

- | | |
|---|---|
| 1. Hammer drill or rotary hammer | 18. Crescent wrench |
| 2. Masonry drill bit 1/4" x 6" (1/4" x 12" bit) | 19. 100 & 25 foot tape measure |
| 3. Extension cords | 20. Chalk line (use white chalk) |
| 4. #2 and #3 Phillips & standard screw drivers | 21. Nut drivers - 5/16", 3/8", 7/16", 1/2" |
| 5. Ratchet with 5/16" - 3/4" sockets | 22. Chisel (wood & concrete) |
| 6. Hacksaw | 23. Scissors |
| 7. String line | 24. Wire strippers |
| 8. Utility knife | 25. Set of box/open end wrenches - 5/16" - 3/4" |
| 9. Broom | 26. 6" level |
| 10. Hammer & rubber mallet | 27. Set of allen wrenches |
| 11. Pliers - standard, needle nose & channel lock | 28. Wire |
| 12. Files - round, triangular & flat | 29. Electrical tape |
| 13. Lighter | 30. Small sledge hammer |
| 14. Carpenter's square | 31. Vice grips |
| 15. 5/16 hex head driver bit with 12" extension | 32. #2 #3 Phillips drill bits |
| 16. Drill (cordless or corded) | 33. Pencil or marker |
| 17. Set of drill bits (1/4" down to 1/16") | 34. 6 - 8 clamps |

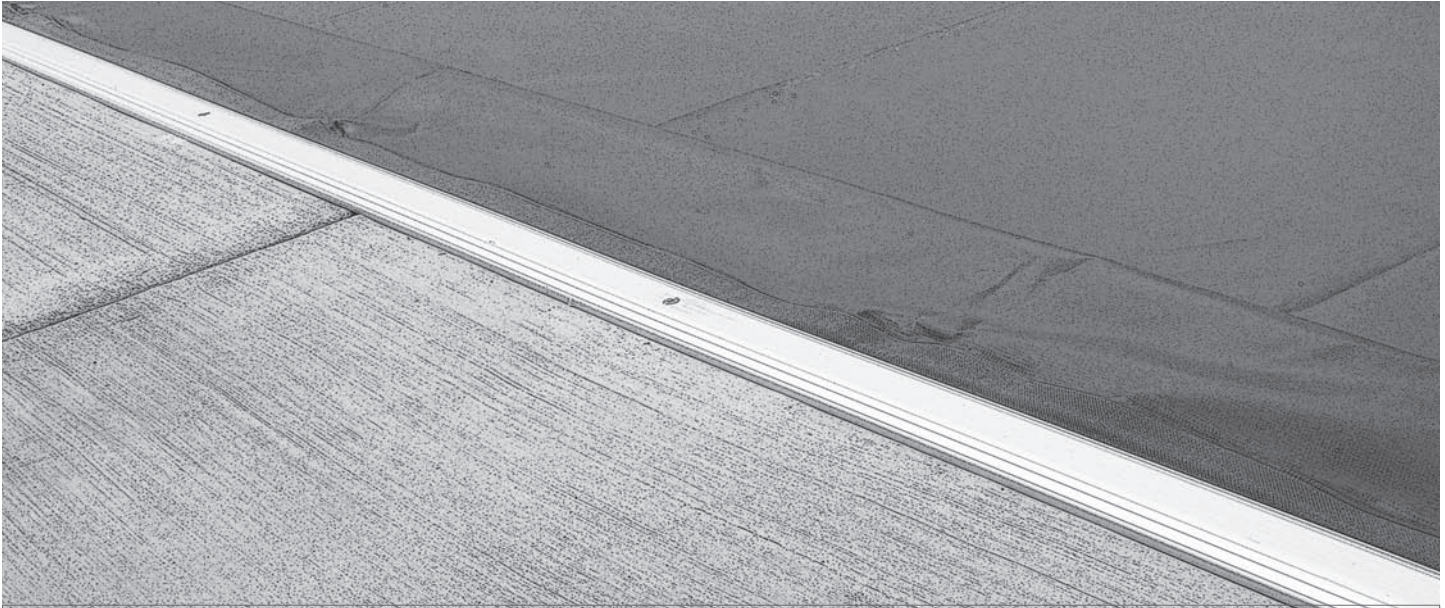
Optional Power tools

Skill saw with carbide tipped blade
Sawzall, Grinder.

System Parts Reference

Mechanism Components		Cover Fabric	
			
Cover Track Types	Standard Top Track Lid	Lid Support Bracket	Cover Pump
			
Guide Feed	Wheel Assemblies	Misc. Hardware	
			
			
			
Parts List			
<ol style="list-style-type: none"> A0610 Motor & housing, standard 3 wire Bison motor A0327 Mechanism RT or UT (Right) A0326 Mechanism RT or UT (Left) M0305 Mechanism Mounting Foot A0020 Non-motor end cone assembly A0797 Tube insert for 6" tube X0001 6" aluminum roll-up tube A2359 Non-motor end assembly RT/UT (Right) A2358 Non-motor end assembly RT/UT (Left) A0605 Key switch - Leviton assembly complete w/ light A1565 Wheel Assembly (standard top track) X0021 Aluminum leading edge 11. Cover fabric 12. Varies PowerFlex rope - Lengths will vary by cover length X0656 Standard Top Track A2123 Horizontal Flush Deck Track X0004 Main Lid A0376 Lid wedge X0121 Motor End lid X0659 Non-motor end lid X0943 8" lid hinge A1698 14" cover lid bracket (Set of 2) A1694 12" cover lid bracket (Set of 2) E1130 Little Giant cover pump & instructions A1071 Guide feed for standard top track A1061 Guide feed for Horizontal Flush Deck Track 	<ol style="list-style-type: none"> A2198 Wheel Assembly (horizontal flush top track) A0886 Pulley End (standard top track) A2141 Pulley End (recessed horizontal flush track) A2133 Curved track, housing, stop, splice - 3 ft. E1098 Bonding wire M3962 Track splice RHT E1086 Bonding lug ka-6u (for 1 wire) H0334 Screw PFSM 12 x 1-3/4 for top track H0332 Screw PPSM 12 x 1-3/4 for lid hinge H0150 Screw PPMS 10-32 x 5/8, for cross brace H0152 Screw PPMS 10-32 x 1/2 H0176 Nut nylock 10-32 H0075 Rope loop (black plastic) H0310 Screw PPSM 10 x 1/2 H0324 Plastic anchor STD #12 H0331 Screw HHWSM Tek 10 x 1/2 SS H0096 Carriage bolt 1/4-20 x 1/2 SS H0006 Washer split lock M0105 Standard splice, top track H9630 Spring pin for track alignment H0276 Nylock nut 1/4 - 20 H1101 Screw 10- 32 1-3/8" M9797 Stop top track 403, L Shaped Stainless Steel H0096 Bolt 3/8-16- 1-1/4 H0331 Screw HHWSM 12 x 1-1/2 w/slot 		
			
			
			
			
			

The parts list at above is typical for most pools up to 20' x 40' and includes all parts necessary to install the Coverstar system; however, parts will vary for longer or wider pools and according to your specific order.

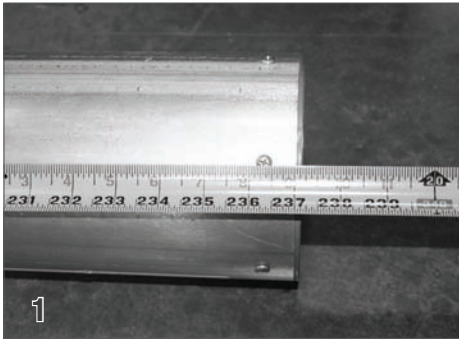


STANDARD TOP TRACK

Step By Step Instructions	Page/Step
Laying out the cover track	5/2
Splicing the track together.....	5/4
Cutting the track to length	5/9
Checking for square.....	6/12
Attaching the track to the deck.....	6/14

Step By Step Instructions

Numbers in parenthesis refer to hardware shown on page 3.

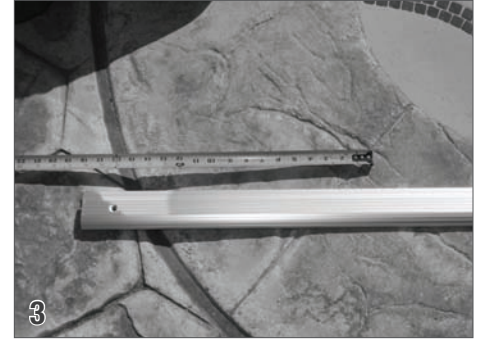


1
To determine the correct track space for the cover system, measure the length of the roll up tube. The track space should be three inches longer than the roll-up tube length. (For example, the roll-up tube shown above measures 19 ft 9 inches. The correct track space is 20 ft.)



Laying Out the Cover Track

2
Lay the cover tracks on the deck on both sides of the pool. When positioning the track, there needs to be at least 7" of clearance from the top of the finished deck to the bottom side of slides and hand rails for the wheel assemblies and leading edge to pass under without damaging the cover system.



3
Extend the track 18" past waterline. Center the pool shape between the pool tracks where possible. Measure and mark the track length on the deck. Use a chalk line to mark the track location.

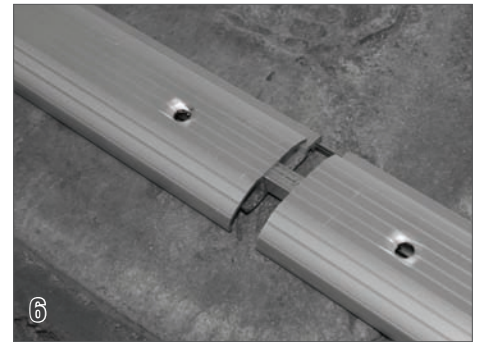


Splicing the Tracks Together

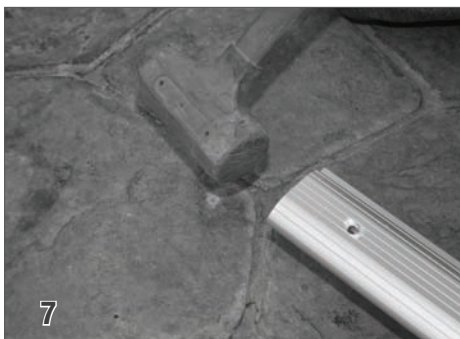
4
Before splicing the sections of track together, file all track ends thoroughly, rounding all edges and removing all burrs. This step is extremely important. The cover can be damaged very easily by metal burrs and this damage is not covered by the warranty.



5
Tap the spring pin (44) into the round splice channel. Slide the center splice (30) into the center channel.



6
Join the track sections together by hand.



7
At one end, use a rubber mallet to tap the track sections together.



8
The two sections of track should be tight together.

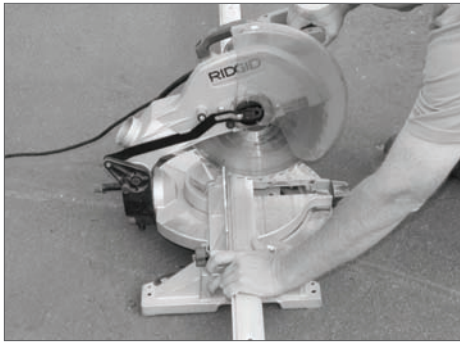


Cutting the Track To Length

9
With track extended at least 18" past the waterline at the opposite end of the pool, cut the track so they extend 18" past the waterline at the mechanism end.

Step By Step Instructions

Numbers in parenthesis refer to hardware shown on page 3.



Cut the track at the mechanism end to the proper length using a miter saw. It is important to have square cuts on the track. Note: Always wear safety goggles when using powered equipment.

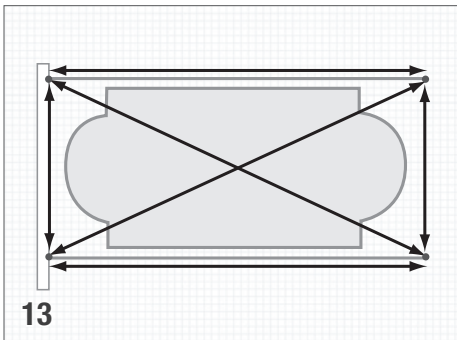


File the track ends on both sides of the pool making sure to round all edges and remove all burrs. This step is extremely important. The cover can damage very easily by metal burrs and this damage is not covered by the warranty.



Checking For Square

Measure the track space, track length and diagonals to make sure the tracks form a perfect square.

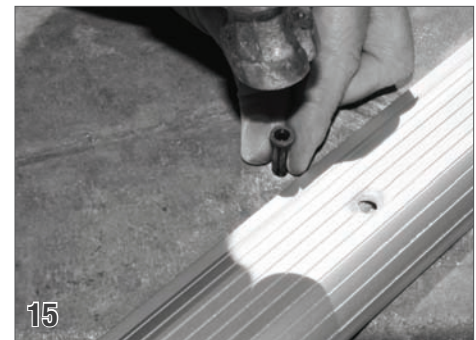


Lengths, widths and diagonal dimensions **must** be equal to each other or the system will not operate properly.

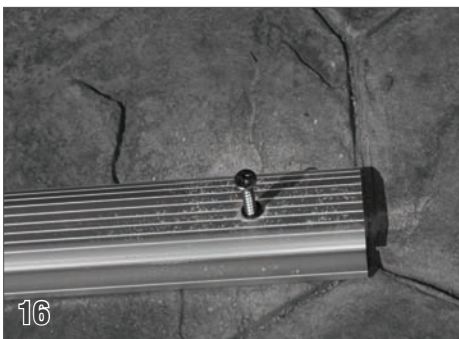


Attaching the Track To The Deck

Place the track into position on the deck in the marked positions. Make sure that the track run completely straight on both sides of the pool. Drill through the pre-drilled track holes into the deck. Drill at least 3" deep.



Move the tracks to the side to expose the holes in the deck. Tap the plastic anchors (39) into each hole.



Place the track back over the holes in the deck. Fasten the track screws (32) halfway through the track into the plastic anchors. The screws will be fastened completely later in the installation.

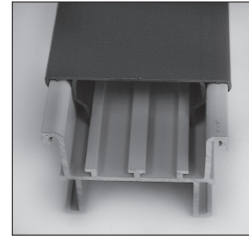


RECESSED HORIZONTAL TRACK

Components & Installation Guidelines	Page
System components & Installation guidelines.....	8

System Components

1. Track consists of 3 parts, the track housing, the track, and the interlocking shim.
2. End pulley assembly is made from a small length of the track and therefore appears to be a continuation of the track on to the end of the housing. This can either be installed when the housing is installed or at the time the mechanism is installed.
3. Track protector: This can either be 2" 10 mill plumbing tape or an optional guide protector (preferred method) that can be ordered from your Coverstar distributor (part no. X0668).



(1) Track protected by plastic cover. Note: Spacer removed to install Track protector



(3) Track protected by 2" 10 mil plumbers tape

Installation Guidelines

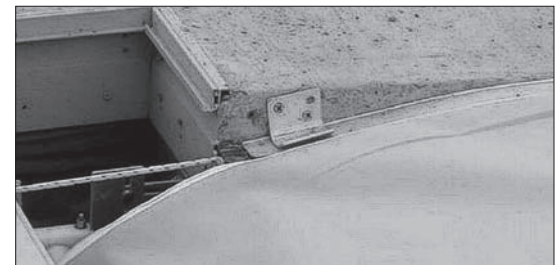
1. The installed track must start flush with the inside of the cover housing, which must be a minimum of 12 inches from the end of the pool and extend 18 inches beyond the other end of the pool. The track must form a perfect rectangle. The track lengths, the distance between the track and the diagonals each must be equal.
2. The track must be installed exactly at finished deck grade. It is strongly recommended that the deck be kept level from the pool to the track housings. Start the slope outside of the track. Note: the deck around the cover housing boxes should be flat for a minimum of 4" before starting any slope if a standard lid is to be used.
3. The housing must have the track, a spacer (standard spacer or optional plastic protector) and top protection in place before pouring deck.
4. There are three main ways that the track can be installed. In each case track supports must be no further than 5' apart.
 - a. Mounted on top 2x4 stakes, which are left in the deck permanently. Attach housing to the stakes with self-taping screws or by drilling holes in the housing and using drywall or deck screws. Set into piles of concrete or gunite approximately every 4 feet. If this method is used, care must be taken to make sure that no cement is left higher than the bottom of the side of the channel. Otherwise it will have to be chipped down before the deck is poured.
 - b. Staked in place using removable stakes or rebar. Rebar can either be short & left in place or long and pulled.
 - d. Stake in place using the recessed horizontal mount supports (Part# A1531)
5. Regardless of how the track is installed, it is recommended that a string line be left in place until after the pour.
6. The standard installation is with straight track, however, optional curved pieces of track are available if flush deck lid is to be used. In this case, the deck is lowered 2" between the track and the box is installed 2" lower.
7. It is recommended that a minimum width of 5 to 6 inches of concrete be poured on each side of the housing. Rebar or concrete wire under the housing will help eliminate the concrete cracking and separating from the housing.
8. It is recommended that you put a strike joint off the end of your track to control the shrinkage crack.
9. To avoid concrete flaking when the protector is removed, go down each side with a 1/8-radius edger. For proper cover operation, concrete must be as close to the top of the housing as is possible
10. Some builders find that it is easier to keep the track clean if they install Deck-O-Drain channel between the end of the housing and the end of the deck. However, this is optional.



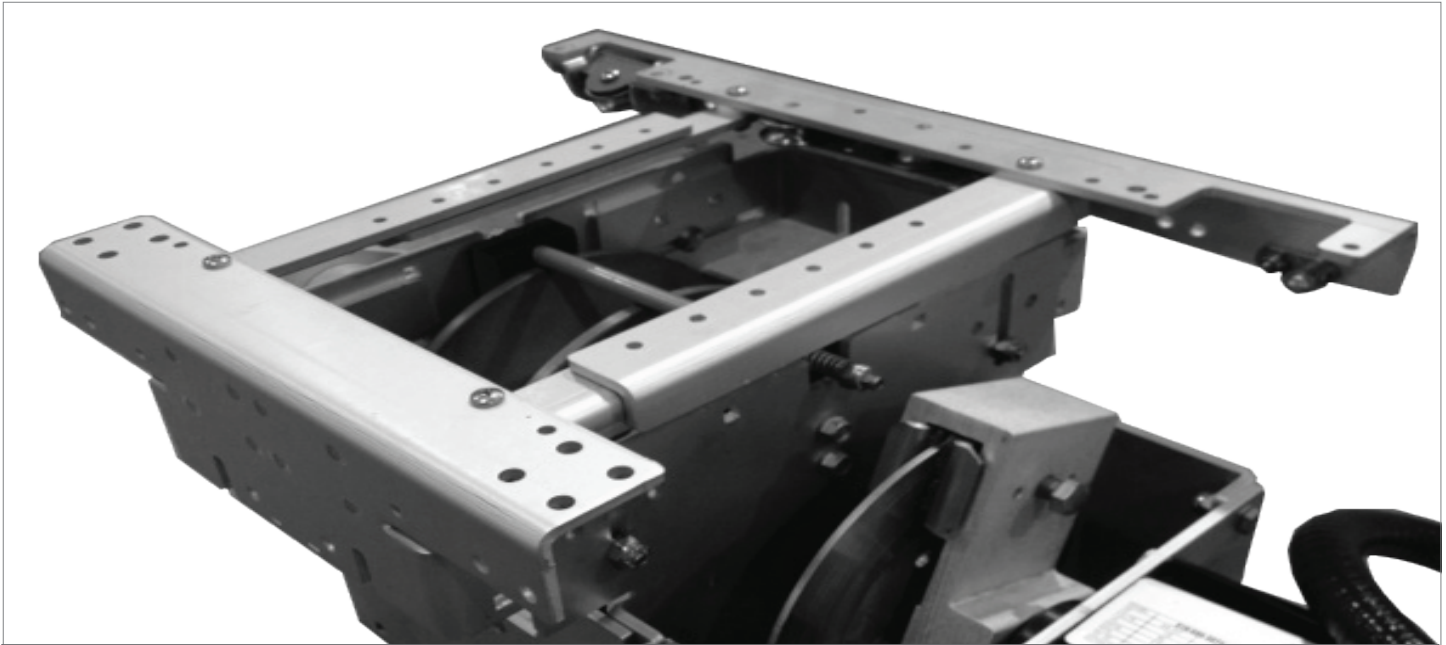
(4.a.) Track staked in place, ready for pour



(4.b.) Housing in place mounted on gunite piles ready for deck pour.



(6) OPTION: Recessed horizontal track sloped into the box. Purchase set of curved track for housing end of track. Bend begins 15" in front of housing. Make sure top of track is minimum of 1" lower than bottom of lid.



MECHANISM

Step By Step Instructions	Page/Step
Housing preparation.....	10/1
Connecting Roll-up tube.....	10/2
Adjusting the mechanism height.....	10/4
Positioning the mechanism.....	10/8
Anchoring the mechanism.....	11/13
Extending the pulley brackets.....	11/14
Anchoring the pulley brackets.....	11/18
Wiring the electrical switch.....	12/20

Step By Step Instructions

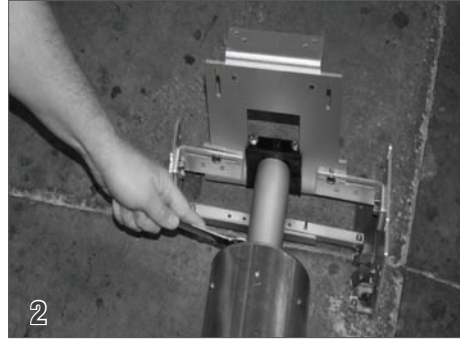
Numbers in parenthesis refer to hardware on page 3.



Housing Preparation

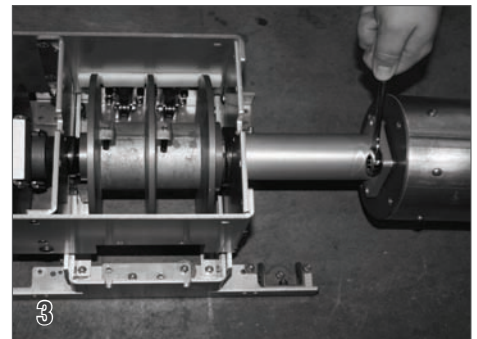
Clean out the housing. Check for nails or other objects that could damage the cover. **This step is extremely important.**

It is critical that all cover housings have adequate drainage. If there is no drain in the cover housing, contact your Coverstar Representative.

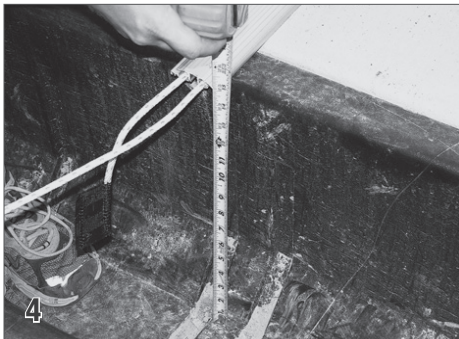


Connecting the Roll-up Tube

With the non-motor end turned upside down, attach the cone for the non-motor end to the roll-up tube using the 3/8" x 1-1/4" bolts (48) and lock washers (42) provided.

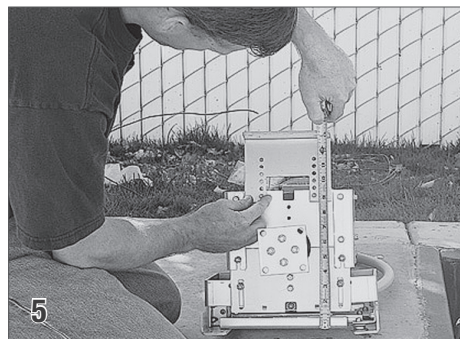


With the motor end turned upside down, attach the cone on the motor end using the same bolts (48) and washers (42). Tighten the bolts using a 9/16" wrench.

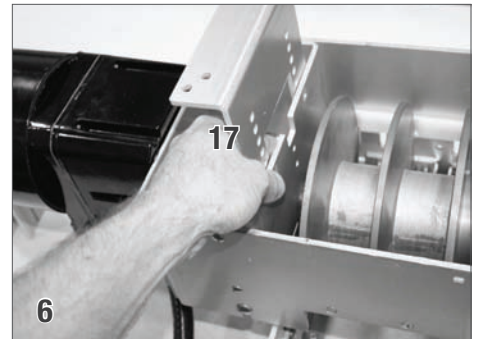


Adjusting Mechanism Height

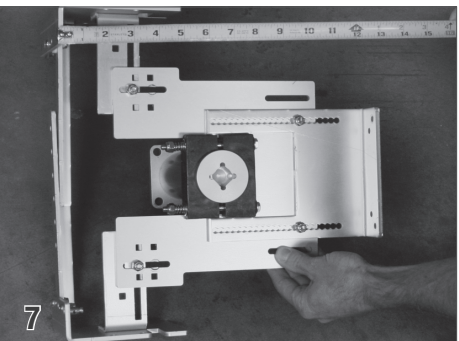
Measure from the bottom of the housing to the center of the track or encapsulation. This is the installed height of the mechanism. Use this measurement to determine which holes to use when adding the mechanism feet in the next step.



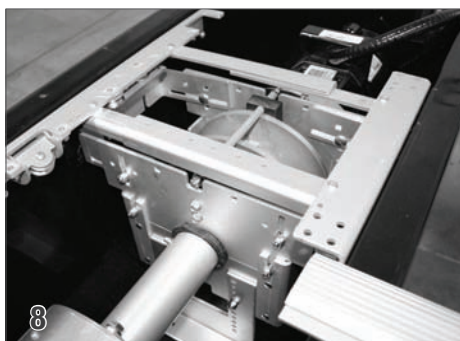
Roll the mechanism onto its top. Hold the feet in position and measure from the top of the mechanism to the foot. **Note: Set the height so the roll-up tube is as high as possible in the housing without rubbing on the lid brackets.**



Install the feet high enough so the top of the mechanism will be flush with the top of the housing. Secure the feet using the carriage bolts (41) and nylock nuts (45) provided.



Install the foot on the non-motor end so the top of the pulley bracket is flush with the top of the housing.



Positioning the Mechanism

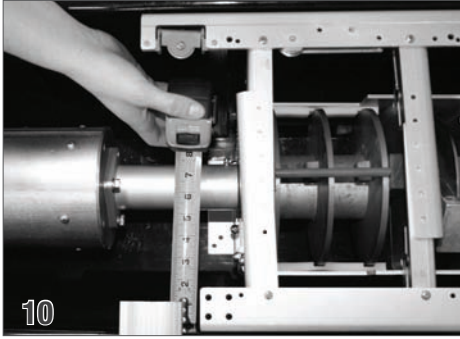
Lower the assembled mechanism and tube into the housing and place it roughly in the position that it will be anchored. **Note: If the cover housing isn't square to the pool, position the mechanism in the housing so it will be square to the cover track.**



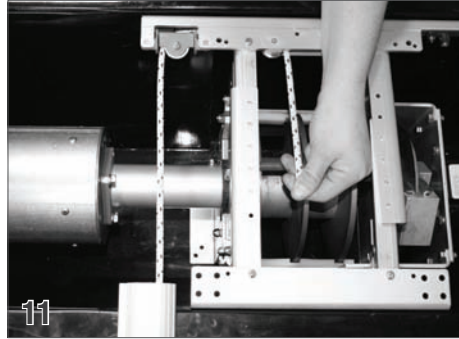
With the mechanism and tube assembled and set in place in the housing, check the roll-up tube for level. This is crucial to proper operation of the cover. Position a level across the housing. Measure from the roll-up tube to the bottom of the level on both the motor end and non-motor end of the mechanism. Adjust height of the non-motor end feet if needed to level the roll-up tube.

Step By Step Instructions

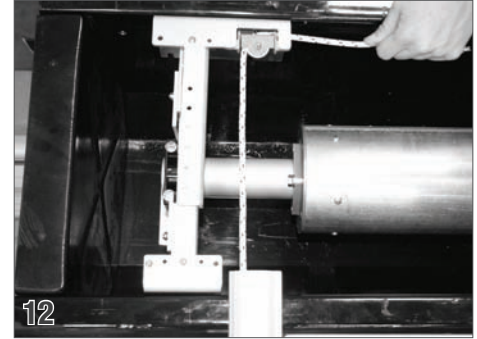
Numbers in parenthesis refer to hardware on page 3.



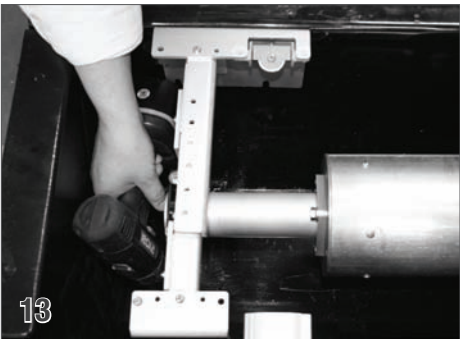
Position the mechanism in the housing so that the roll-up tube is centered between the track and centered in the housing front to back.



Align the mechanism on the motor side first by using a straight edge or a piece of rope and extending it from the back channel of the cover track to the pulley #1 to make sure the rope is running straight into the pulley at a 90 degree angle.

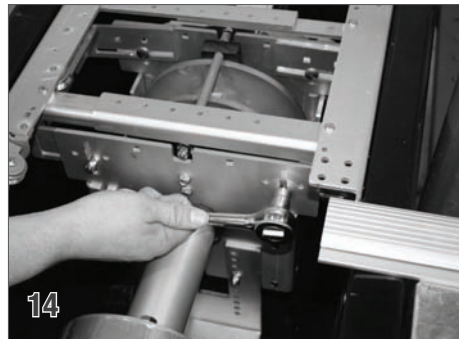


Go to the non-motor end and make sure the rope will come straight back from the back channel of the track to the pulley. If the ropes do not come straight back, the mechanism should be moved to balance the rope angle on both sides. Only a 1/2" variance from straight is allowed on either side.



Anchoring Mechanism

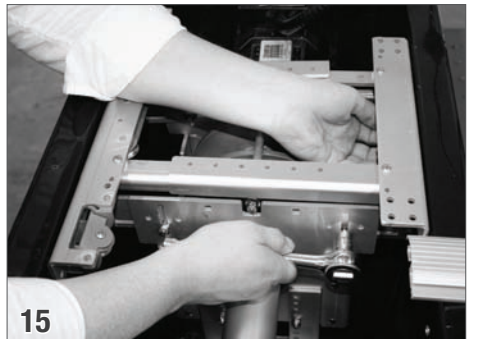
Anchor the mounting feet on both the motor and non-motor ends into the housing using as many anchor points as possible.



Extending the Pulley Brackets

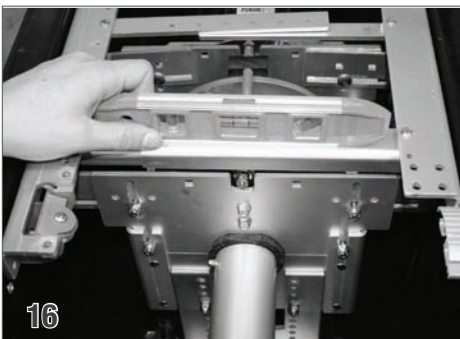
Extend the pulley brackets. Loosen the nuts on the pulley brackets and spread the brackets outward against the walls of the housing.

Note: Do the following steps on Motor and Non-motor end (motor end shown).

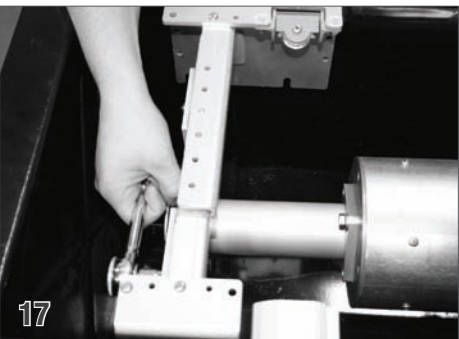


Raise the pulley bracket up so that the top of the bracket is even with the top of the housing.

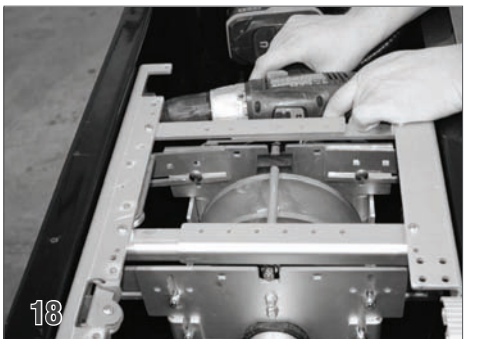
Note: If you will be using the Flat Lid 309 Kit (A2432) the mechanism will need to be installed 1-1/8" below deck height.



With the brackets in position, level the mechanism and center it in the housing from front to back. Tighten the four nuts on the adjustable brackets.



Now loosen the bolts and spread the pulley brackets at the non-motor end making sure they are also level. Raise the pulley bracket so it is flush with the top of the encapsulation.



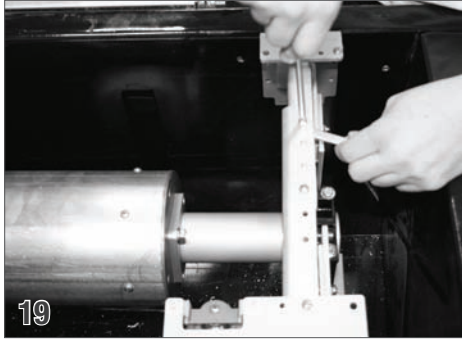
Anchoring the Pulley Brackets

Anchor the brackets in to the housing in as many places as possible using the 1-1/2" hex head screws (49) and anchors (39).

Note: Do the following steps on Motor and Non-motor end (non-motor end shown).

Step By Step Instructions

Numbers in parenthesis refer to hardware on page 3.



On the motor and non-motor side, use a 3/16" bit and drill through the holes on the cross braces. Use the half inch screws (34) and nylock nuts (36) provided and bolt the cross braces together in two places on each cross bracket.



Wiring the Electrical Switch

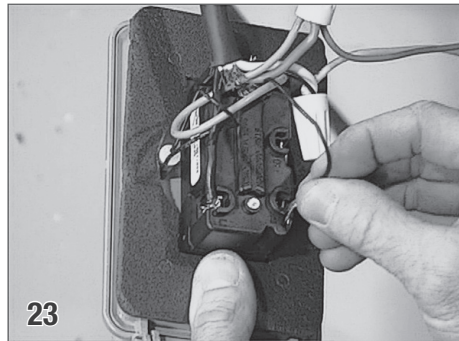
Connect the electric switch by wiring the neutral wire from the power supply, the white wire from the motor and one of the wires from the indicator light together using a wire nut. Note: Switch must be mounted in a position with a full view of the pool.



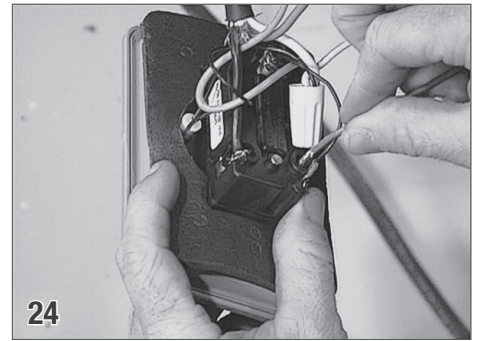
Connect the ground wires from the power supply and the motor together using a wire nut. Run a pig tail from this wire nut to the grounding lug on the switch.



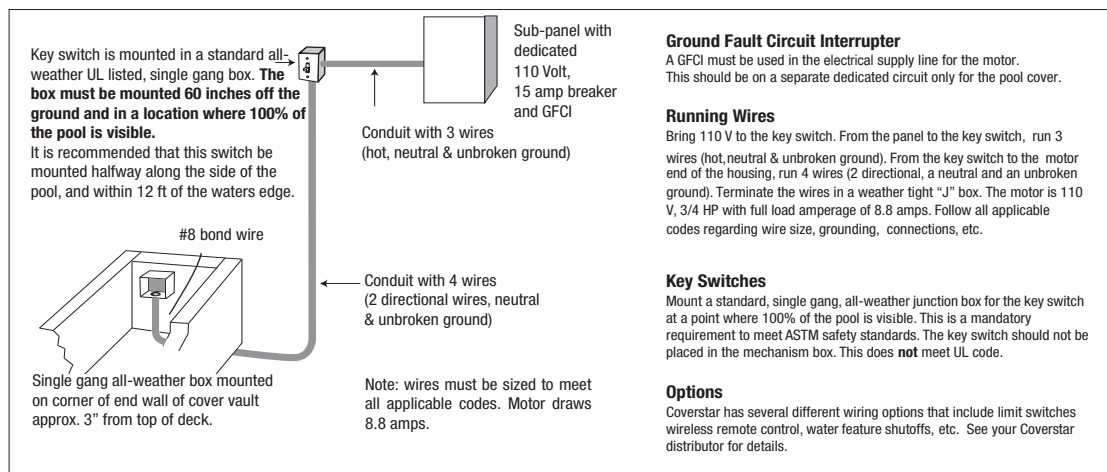
Insert the hot wire from the power supply into terminal L1 on the back of the switch and tighten the screw. **Do not loosen the screws too much or the internal switch connections will be permanently lost.**



Attach the other leg from the indicator light and the **BLUE DIRECTIONAL WIRE** into terminal A1, and tighten the screw.

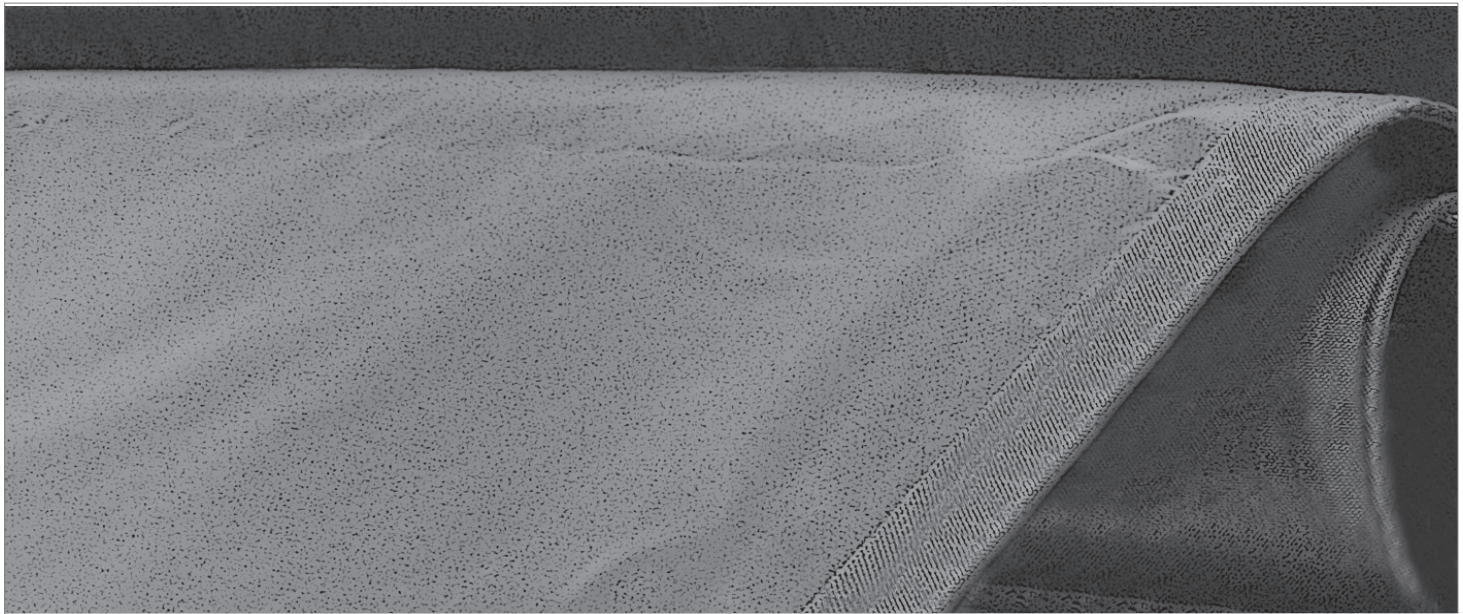


Insert the **RED DIRECTIONAL WIRE** into terminal B1, and tighten the screw. Note: Reverse directional wires if the cover runs opposite to the direction indicated on the switch.



Electrical Wiring & Bonding

The system must be bonded to meet the National Electrical Code. Bond both tracks to the mechanism by attaching a bonding lug to the guide feed screw and running a #8 solid copper bond wire to the mechanism. Bond the lid to the mechanism by drilling a hole in the lid at either end of the lid and attaching a bonding lug in each position and bonding it to the mechanism. All brackets and any other metal over 4" long should likewise be bonded to the mechanism. There should be a bond wire from the equipment pad inside the housing. Attach this bond wire to the mechanism to complete the bonding requirement. Note: Builder is responsible to bring proper electrical lines, conduit and bonding to the mechanism. Electrical wiring diagram and details are shown above with instructions on the right.

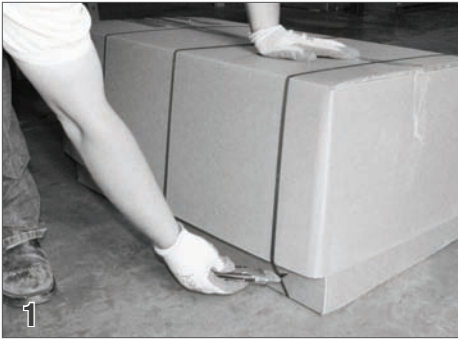


COVER FABRIC

Step by Step Instructions	Page/Step
Opening the cover package.....	14/1
Rolling out the cover	14/2
Running ropes through the track.....	14/4
Routing the ropes	15/10
Attaching the cover leading edge	15/15
Attaching the ropes to the reels	16/27
Running the cover over the pool.....	17/31
Attaching the cover and bonding wire	17/32
Adjusting the ropes.....	17/35
Adjusting the torque limiter	18/38
Adjusting the brakes	18/40

Step By Step Instructions

Numbers in parenthesis refer to hardware on page 3.



Opening the Cover

To open the cover box, cut the bands that hold the two halves of the box together. Never cut the top of the box open. Doing this could easily damage the cover inside. This kind of damage is not covered under the fabric warranty. With the bands cut, lift and remove the top box.



Rolling Out the Cover

Standing behind the housing looking over the pool, unroll the cover from left to right.



Unwrap the ropes and run them through the track.



Running Ropes Through the Guides

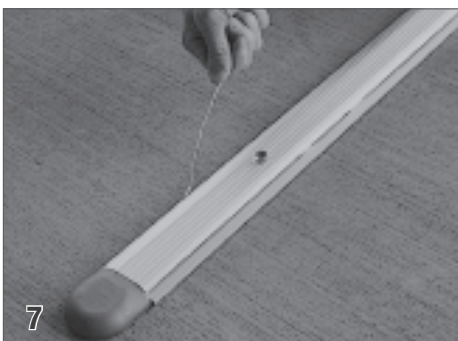
The preferred method of running the rope is to pierce the rope with a 1' length of wire and use it as a handle to feed the rope through the track.



Hold the wire with some pliers and pull the rope down the length of the track toward the end of the pool.



Feed the rope through the pulley assembly (26) and place the pulley housing onto the end of the track.



Feed the rope into the back channel then pull the rope down the back side of the track toward the cover housing.



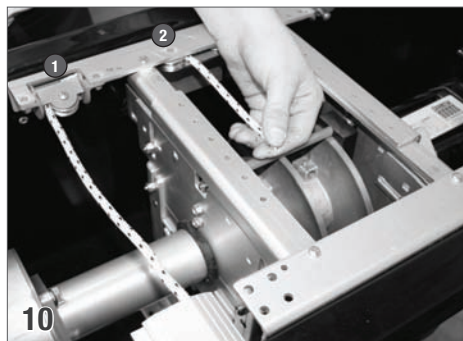
Pull all excess rope through the cover track.



Complete the fastening of all track screws flush to the top of the track and fasten the pulley screw on both sides of the pool. Clean concrete dust from track and pulley endcap. Make sure **ALL** screws are flush with track.

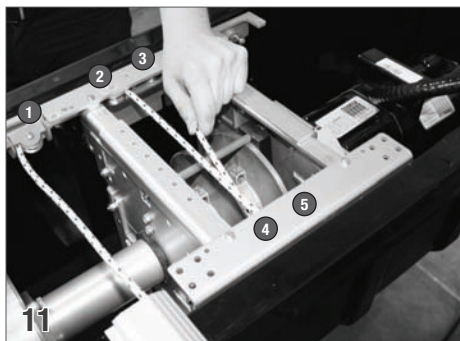
Step By Step Instructions

Numbers in parenthesis refer to hardware on page 3.

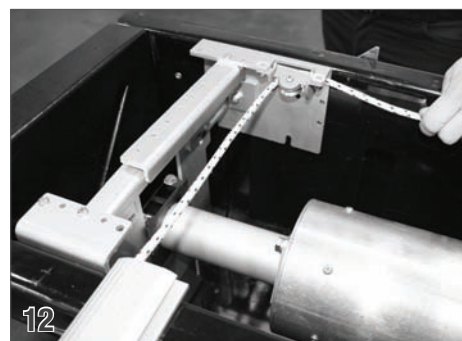


Routing the Ropes

On the motor end, extend the rope from the back channel of the track around pulleys #1 and #2.



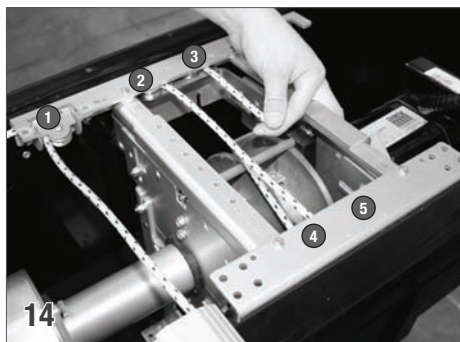
Continue pulling the rope to the front side of the mechanism. Run the rope around pulley #4 with the rope coming off the bottom of the pulley. Pull the rope until the end with the tab is ready to slide in the track.



On the non-motor end, run the rope from the back channel of the track and around the pulley.



Pull the rope along the back of the housing to the motor end.



Run the non-motor end rope behind the motor end rope as it passes behind the pulleys #1 and #2. Bring the rope out along side pulley #3. Continue pulling this rope across to pulley #5, with the rope coming off the bottom of the pulley. Pull all excess rope through and lay it on the deck.



Attaching the Cover Leading Edge

Lay the front of the cover in front of the housing. Slide the leading edge through the loop on the front of the cover.



Attach the rope tab to the wheel assembly using the three stud backing plate and nuts that is supplied with the wheel assembly.



Place the nylon leading edge inserts into the ends of the leading edge tube. Make sure they can slide freely inside the leading edge tube.



Attach the fabric to the wheel assembly with the two stud backing plate and nuts.

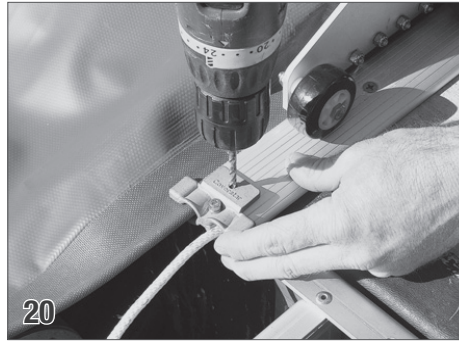
Note: On standard Top Track systems this backing plate comes attached to the cover.

Step By Step Instructions

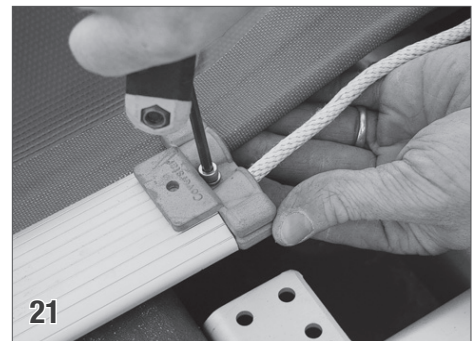
Numbers in parenthesis refer to hardware on page 3.



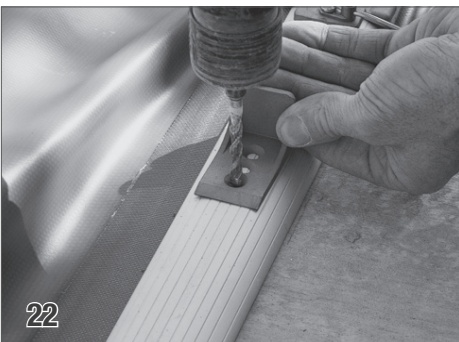
Feed the wheel assembly and cover into the track. The slider on the front of the wheel assembly will lock into the track.



Place a guide feed (23) over the end of the track. Use a 3/16" drill bit to drill through the guide feed. Feed the wheel assembly and cover into the track.



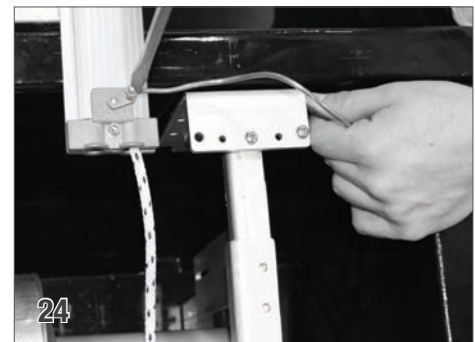
Use a 5/32" allen wrench to tighten the screw on the guide feed.



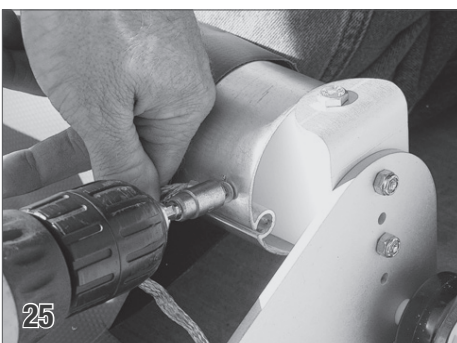
Install a track stop (47) on the end of the track on each track to keep the cover from retracting too far. Run the key switch in the uncover position to roll the cover up on the roll-up tube. Check the cover to be sure it rolls up evenly. The cover fabric installation is now complete.



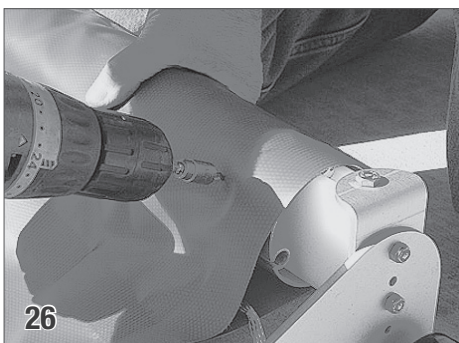
Place a bonding wire lug (31) on top of the guide feed and secure with a 10-32 1-3/8" screw (46) and nylock nut (36).



Run the #8 copper bond wire (29) from the lugs on the guide feed to the lugs on each end of the mechanism.



Connect the bonding wire that is attached to the front corner of the cover to the leading edge bar using a tek screw (40). Be sure the screw doesn't interfere with the leading edge insert.



Position the fabric on the leading edge so it is in line with the leading edge support bracket. Secure with a tek screw (40) on the back side of the leading edge. Be sure the screw does not interfere with the leading edge insert.



Attaching the Ropes to the Reels

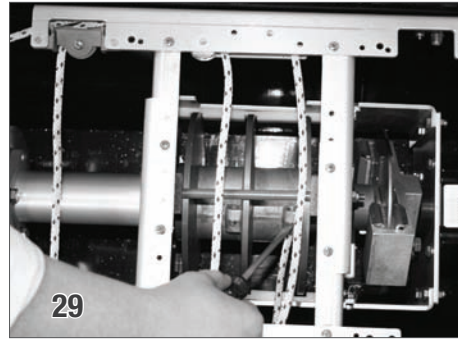
Pull the cover back until the cover is in the track equally on both sides. Pull the ropes tight as they come off the pulleys on the mechanism to eliminate the slack in the rope. **Note: Cut the ropes only when the cover is open completely.**

Step By Step Instructions

Numbers in parenthesis refer to hardware on page 3.



Pull both ropes until the leading edge just moves on each side, cut the longer rope to the same length as the shorter rope while tight. These ropes should be at least 8 ft long. Use a lighter or torch to burn the ends of the rope. In most cases you will only need to cut one rope.



Bring the ropes back to the mechanism. Slide the rope through the rope lug on the rope reel. Secure the ropes to the reel by tightening down the set screws in each lug.

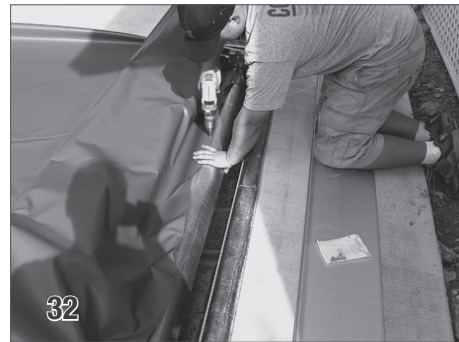


While holding the ropes over the mechanism, run the key switch in the cover position. The excess rope will be wrapped around the rope reel.



Running the Cover Over the Pool

Run the cover over the pool being careful to prevent it from binding in the guide feeds by lifting the cover and helping it into each track the first time.

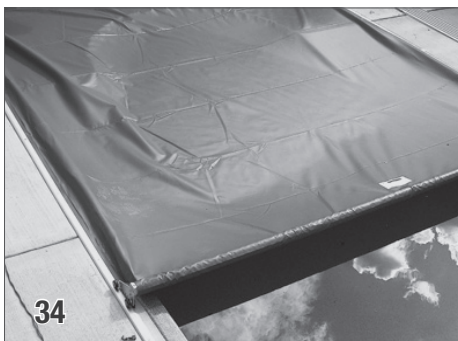


Attaching the Cover & Bonding

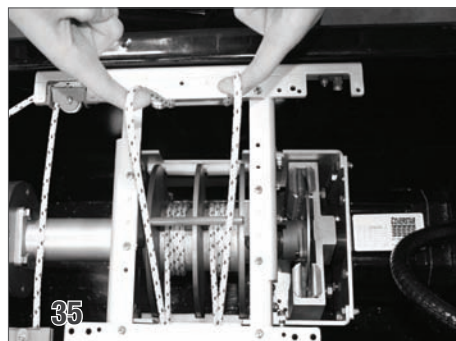
Wire Make sure the webbing continues straight as it travels from the track to the roll-up tube. Attach the cover to the roll-up tube using tek screws (40). The first screw on each end of the tube needs to be 3 inches from the end of the tube. As the cover rolls up on the tube, the webbing should roll up completely off the tube.



Lay the bond wire on top of the cover fabric. Secure it to the roll-up tube using a tek screw (40). Distribute the slack of the cover evenly between each screw across the length of the tube. Secure the cover to the roll-up tube using tek screws (40) every 2-3 feet. When attaching the cover to the tube, do not use folds or pleats.

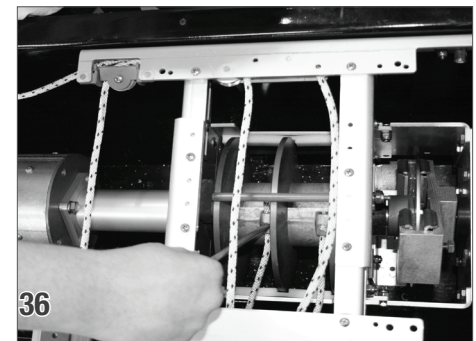


Run the key switch in the uncover position to roll the cover up on the roll-up tube. Check the cover to be sure it rolls up evenly. Run the cover 6-10 times to make sure it opens and closes evenly. The cover fabric installation is now complete.



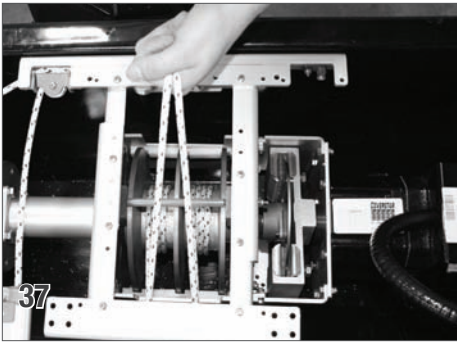
Adjusting the Ropes

When closing the cover, if both sides of the cover don't close squarely, one of the ropes may need to be adjusted. To adjust the rope, open the cover all the way. Pull the excess rope off the rope reel.

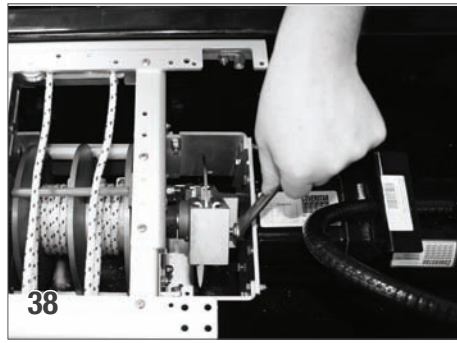


If one of the ropes is longer than the other rope, loosen the set screw that secures the rope to the rope reel lug. Shorten this rope until it is the same length as the other rope. Re-attach the rope to the rope reel.

Step By Step Instructions

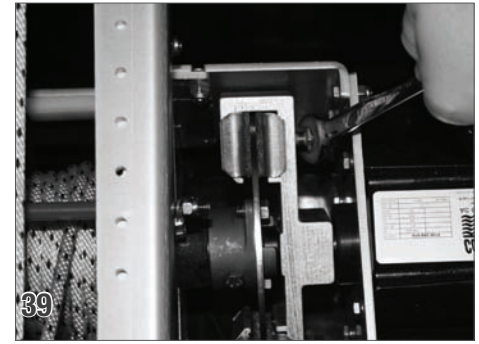


If both ropes are the same length, and the cover doesn't close squarely, shorten the rope for the side of the cover that doesn't close all the way. The amount that the rope is shortened is equal to the amount distance that the cover needed to travel to close all the way. While holding the rope, run the switch in the cover position.



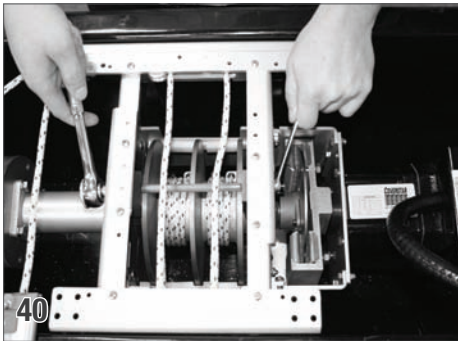
Adjusting the Torque Limiter

The Aluminum automatic cover system is equipped with a torque limiter that helps prevent damage to the mechanism. Only if the motorized mechanism does not extend or retract the cover will you need to adjust the torque limiter.

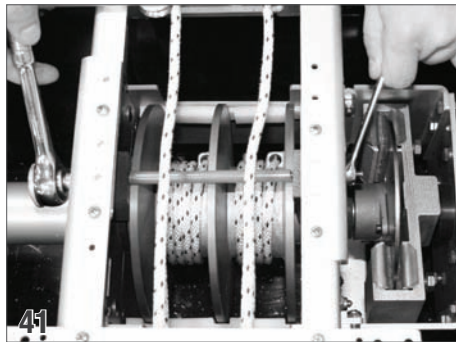


To adjust the torque limiter, use a 9/16" wrench to tighten the first torque limiter bolt 1/2" turn. Run the cover.

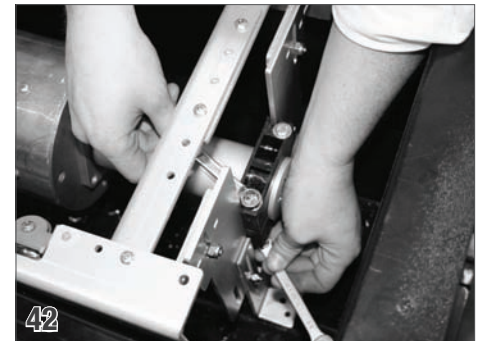
If further adjustment is needed, rotate the torque limiter brake arm to position the second brake bolt and tighten the second brake bolt 1/2" turn.



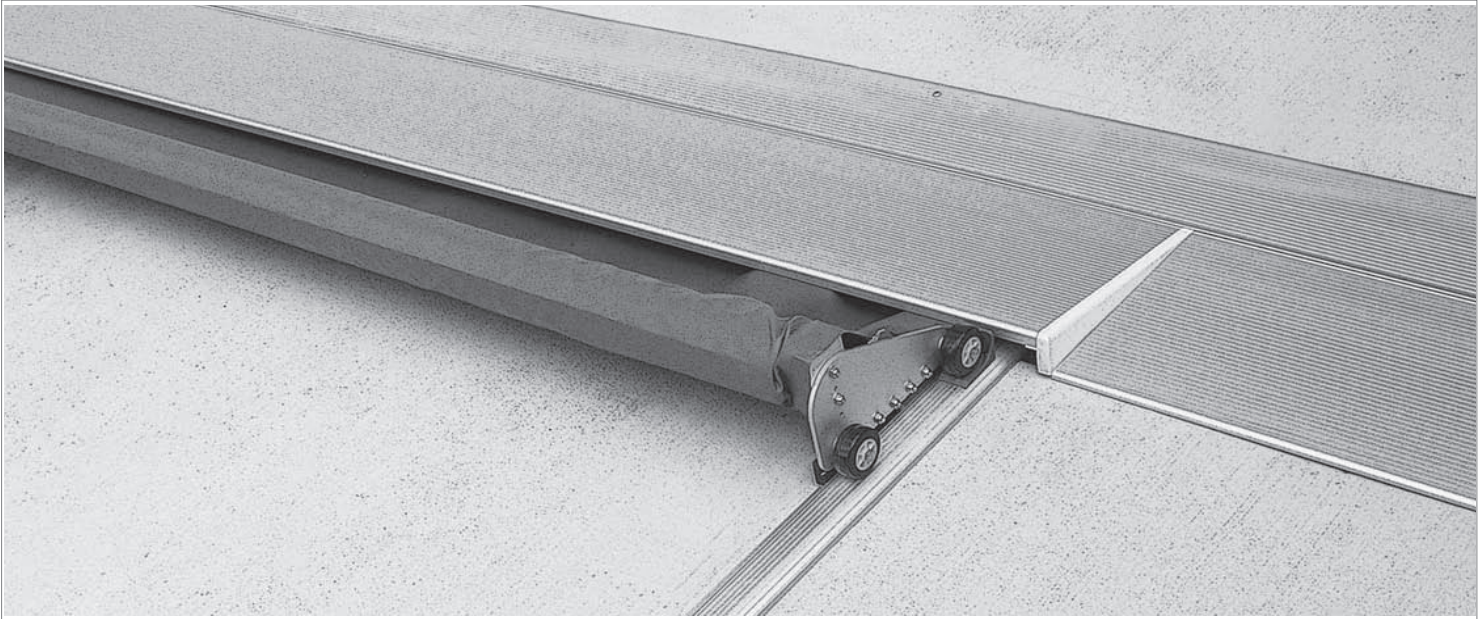
Adjusting The mechanism is equipped with two brakes; one on the rope reel, and one for the roll-up tube of the mechanism. The brakes are preset at the factory and should work properly.



Rope Reel Brake The rope reel brake should be tight enough to prevent the ropes from free spinning off the reel while the cover is opening. If you need to adjust the brakes, use two 7/16" wrenches or sockets to adjust the tension on the rope reel.



Roll-up Tube Brake The roll-up tube brake should be tight enough to prevent the cover from rolling off the tube faster than it is being pulled into the track. To adjust this brake, use two 7/16" wrenches and tightening or loosening the thru bolts in the brake block.

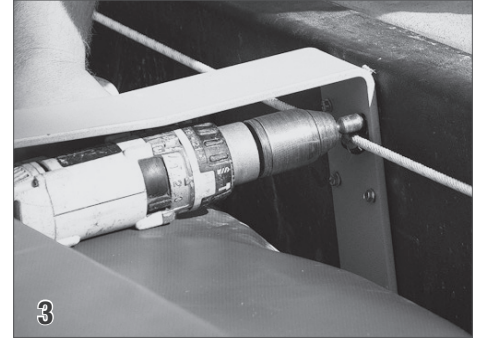


CLASSIC ALUMINUM LID

Step By Step Instructions	Page/Step
Installing the lid brackets	20/1
Assembling the aluminum lid	20/4
Attaching the lid to the deck	20/7

Step By Step Instructions

Numbers in parenthesis refer to hardware on page 3.



Installing the Lid Brackets

Hold the bracket against the back wall of the housing so it is flush with the top of the deck and mark the hole positions. Use a 1/4" masonry bit and drill through the holes in the bracket into the back of the housing. Be sure to drill the holes at least 3" deep.

Remove the bracket and insert plastic anchors (39) in each of the holes. Tap the anchors with a hammer so they are in the hole completely.

Secure the brackets to the back wall of the housing using #12 x 1-1/2" hex head sheet metal screws (49). Mount a rope loop on one top screw of each of the brackets. This will keep the rope running straight along the back of the housing.

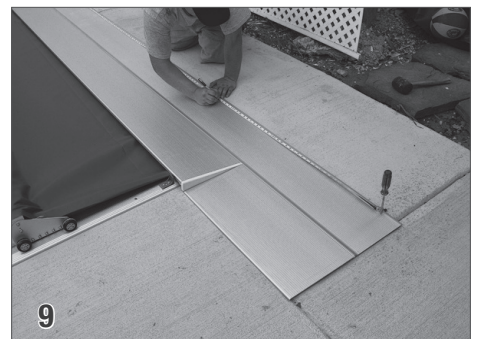


Assembling the Aluminum Lid

Assemble the lid by sliding the hinge onto the main section of lid.

Slide the plastic wedges (16) onto the main lid on either side. Tap into place with a rubber mallet.

Slide the motor and non-motor lid ends onto the hinge.



Attaching the Lid to the Deck

Position the lid over the top of the housing. The motor end and non-motor ends should extend past the cover housing 1-2". If they extend more and do not lay flat on the deck, it may be necessary to cut the lids. Drill through the lid hinge along the back edge every 2-3 ft. using a 1/4" drill bit. Then, drill through these holes and into the concrete deck using a 1/4" masonry bit. Clean concrete dust from hinge.

Insert plastic anchors (39) into the holes and tap with a hammer so they are flush with the deck. Fasten the lid to the deck with #12 pan head sheet metal screws (33). File any sharp edges.

Measure across the hinge to evenly space the screws. Continue drilling and anchoring the hinge in this manner until the entire lid is attached to the deck. If any part of the lid is sticking up, it must be screwed down to the deck. The safety pool cover installation is now complete.



HOME OWNER CHECKLIST

After the cover system is installed, it is critically important to instruct the home owner on how to operate the cover system safely and do routine maintenance. Use the following check list and the ECLIPSE Use & Care Guide as your primary instruction source.

Use & Care Guide Page

- How to use the cover pump4
- How to uncover and cover the pool6-7
- Warn about standing water on the cover4
- Who is authorized to operate the cover system.....6
- Pool chemicals and cover life8
- Proper maintenance and care of the cover system...8-9
- Inform the customer on pool safetyBack cover

Installation Check List

Tracks

- Does the track space measurement match how the cover system was ordered?
- All track ends filed. This is extremely important.
- Cover goes through the track joints smoothly.
- All track screws are tight and flush.
- Pulleys are flush against the end of the track.
- The guide feeds are snug against the track.
- Guide feeds bolted in and are tight.
- Stops installed.
- Alignment pins and splices used when joining the tracks, even in encapsulation.

Mechanism

- Mechanism installed level in the box.
- Roll-up tube level in cover box.
- Tube centered between the tracks.
- Enough clearance top, bottom, sides for the fabric. No rubbing of webbing on sides or bottom of box.
- Tube at the right height? The ideal location is to install the cover in the box so that the cover is coming off at as small an angle as possible. This reduces stress on the mechanism and reduces wear on cover tracks at the end of the track.
- Tube either centered in the box or positioned slightly more towards the back of the box, so that the cover is unlikely to rub on front of the box.
- System mounted at right angle to the track.
- Ropes coming back straight out of the track. An excessive angle will cause wear on the cover tracks at the end of the track.
- Ropes are not rubbing on any brackets or the deck.
- Ropes are run correctly.
- 8 feet of rope left on rope reel.
- System bonded according to electrical code. Cover bonded to leading edge and roll-up tube.
- Make sure there is adequate drainage from the cover box.

Cover

- Fabric pinned to the roll-up tube without pinned folds.
- Cover runs smoothly.
- Cover properly aligned when it closes or retracts. Note: An inch or two out of square is not uncommon and is not a concern as it will not affect the operation of the cover. Because of the size of the fabric roll and changes in operating conditions the cover may vary slightly in alignment as it is run.
- The leading edge inserts move in and out freely the whole length of the pool.
- Fabric is pinned to the leading edge flush with the ends of the tube.
- Cover not rubbing in the cover box as it rolls up.

Cover Lid

- All sharp edges have been filed.
- All areas where the lid is not flat on the deck have been screwed down to eliminate any potential hazards.
- There is enough clearance between the lid brackets and the cover to avoid rubbing.

Misc.

- Key switch is in full view of the pool.
- Cover pump tested by putting it in the water and operate it in front of homeowner.
- The cover box is clean and clear of debris so that the drains are not easily clogged.
- Pool area cleaned up.
- Homeowner has been instructed on the operation of the automatic safety cover system.