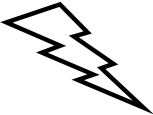
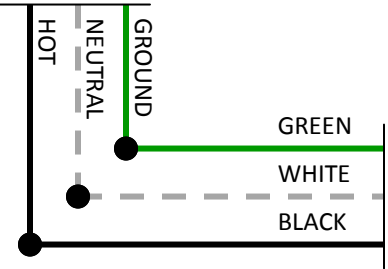


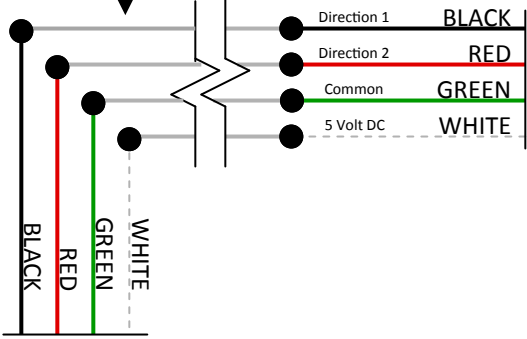
## Bison External Wiring - With Quick Connects



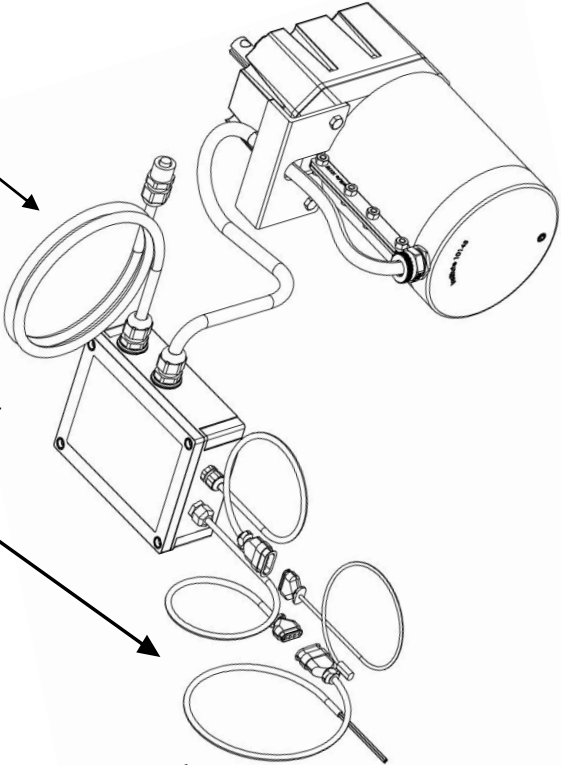
120/240 Volts AC



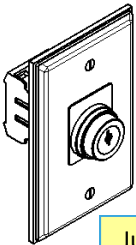
**Note:** The wires that run from the housing to the key switch junction box are supplied by the builder or electrician and may not match schematic, be sure to match the colors at each end.



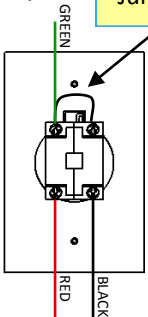
**A3505** - Standard Bison Motor with 3 Wire Feature Controls



Touch Pad / Key Switch



Jumper



White not used for Key Switch

Quick Connector



Hall Effect Sensor

