

We make it strong. We make it easy.™
COVERSTAR®

2019 Parts Catalog

ECLIPSE™

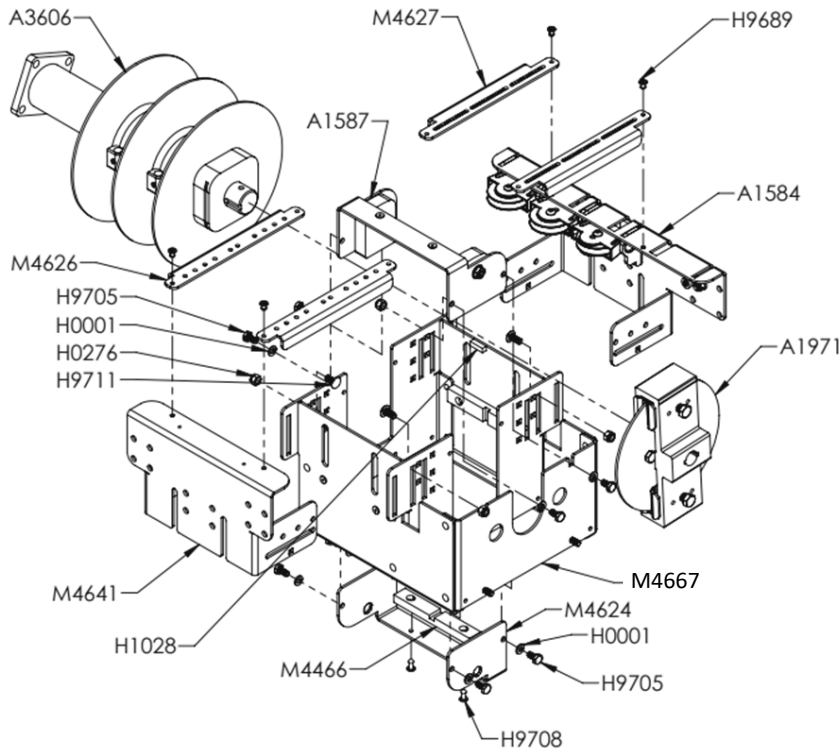


Table of Contents

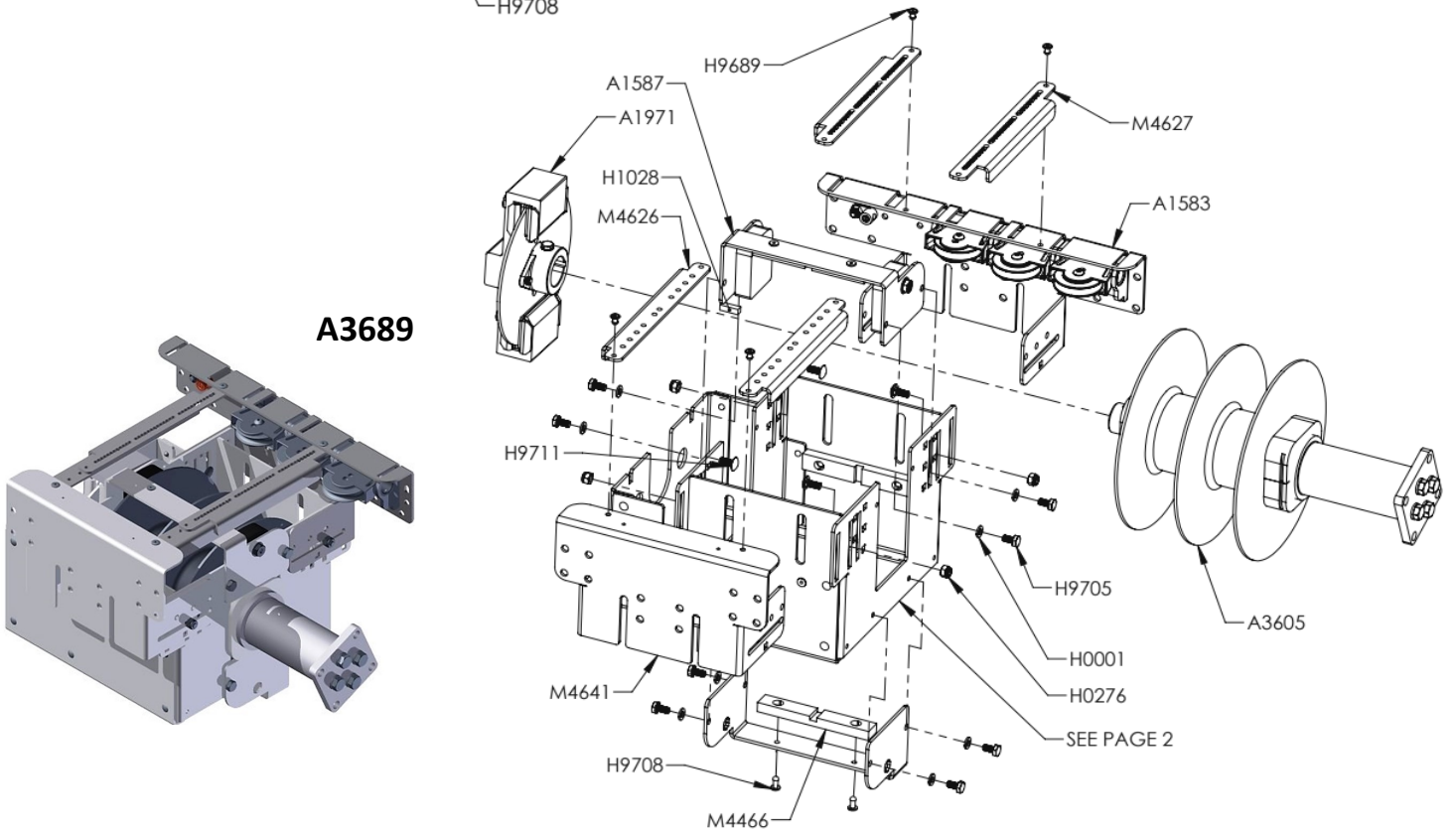
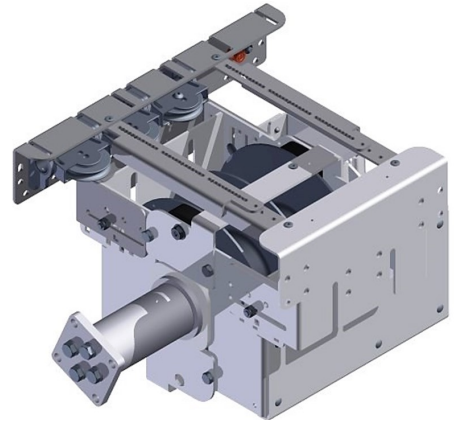
Eclipse Mechanism Recessed Non-split Cone	3
Eclipse Mechanism DM Non-split Cone	4
Eclipse NME Recessed Assembly	5
Eclipse NME Deck Assembly	6
Eclipse ME Pulley Bracket Assemblies	7
Eclipse NME Pulley Bracket Assemblies	8
Eclipse Rope Reel Assembly	9
Eclipse Rope Reel Brake Assembly	10
Eclipse Caliper Torque Limiter	11
Eclipse NME Cone Brake Assembly	12
Lid and Bench Brackets	13
Classic Aluminum Lid for TT & UT Systems	14
Flush Lid for TT & UT Systems	15
Flat Lid for TT & UT Systems	16
Wheel Assembly TT for 2-1/2" LE	17
Wheel Assembly TT for 1" LE	18
Wheel Assembly TT for 3" LE	19
Roll-up Tubes & Leading Edges	20
Roll-up Tube & Leading Edge Inserts	21
Polymer Housing	22
Deck Mount Plastic Housing	23
Aluminum Bench	24
Rope & Semi-rigid Tab	25
Vanishing Edge System	26

Vanishing Edge Assembly & Hardware	27
Sliders	28
Track & Hardware for Deck Mount TT	29
Track & Hardware for Under Track	30
Flush Track Kits and Hardware	31
Competitors Hardware	32
Conversion Kits	33
Hydraulic Motors & Hardware	34
Motors & Motor Controllers	35
Electrical Controls	36
1 Piece Reusable Coping Forms	37
2 Piece Reusable Coping Forms	38
Box Perimeter & Lid Forming	39
Lid Forming Molds - Inclined	40
Lid Forming Molds - Cantilever	41
Lid Descenders & Transition Pieces	42
Walk-on Tray Lids	43
Corner Options - Bullnose	44
Corner Options - Vinyl Liner	45
Corner Options - Inclined	46
Corner Options - Rounded	47
Vinyl Liner Coping & Encapsulation Kits	48
Gunite & Fiberglass Encapsulation Kits	49
Hardware for Encapsulation Kits	50

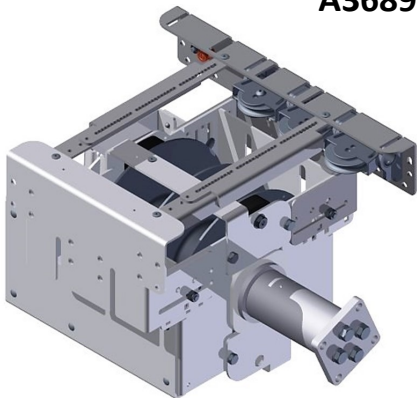
Eclipse Mechanism Recessed Non-split Cone



A3688

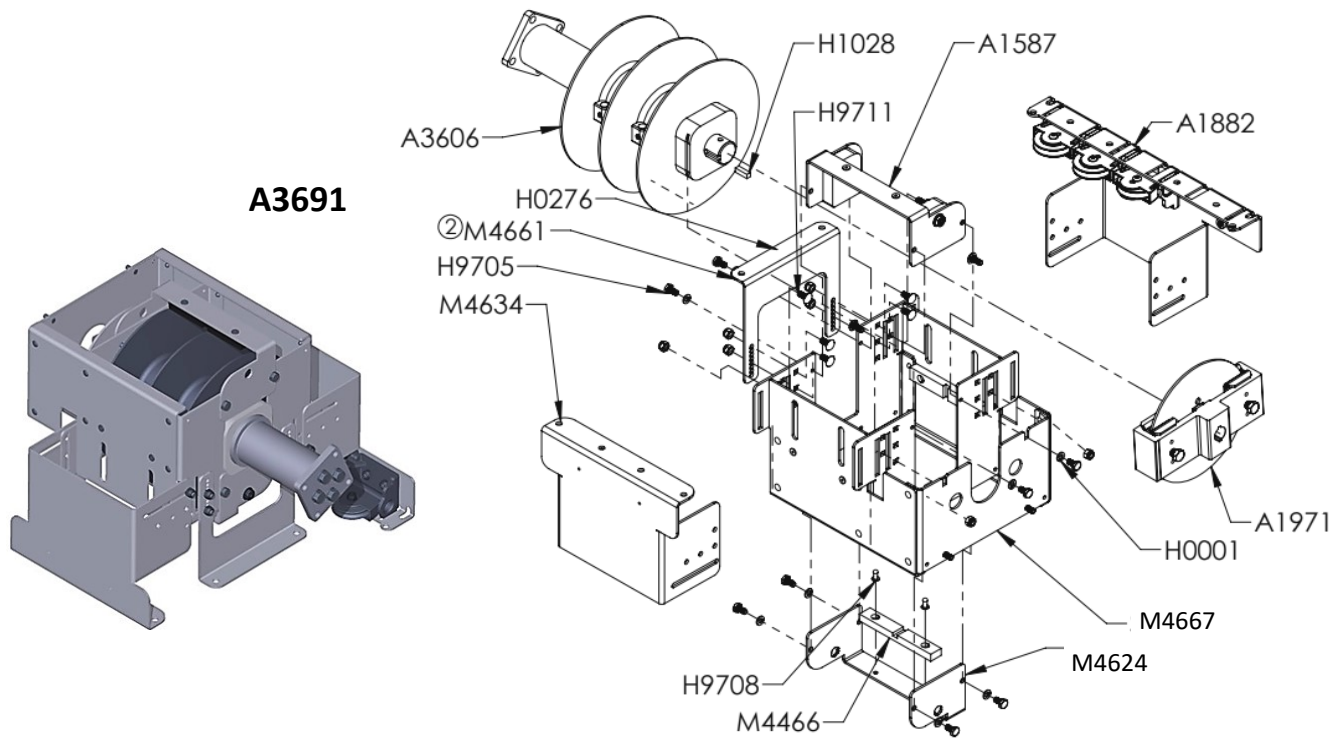
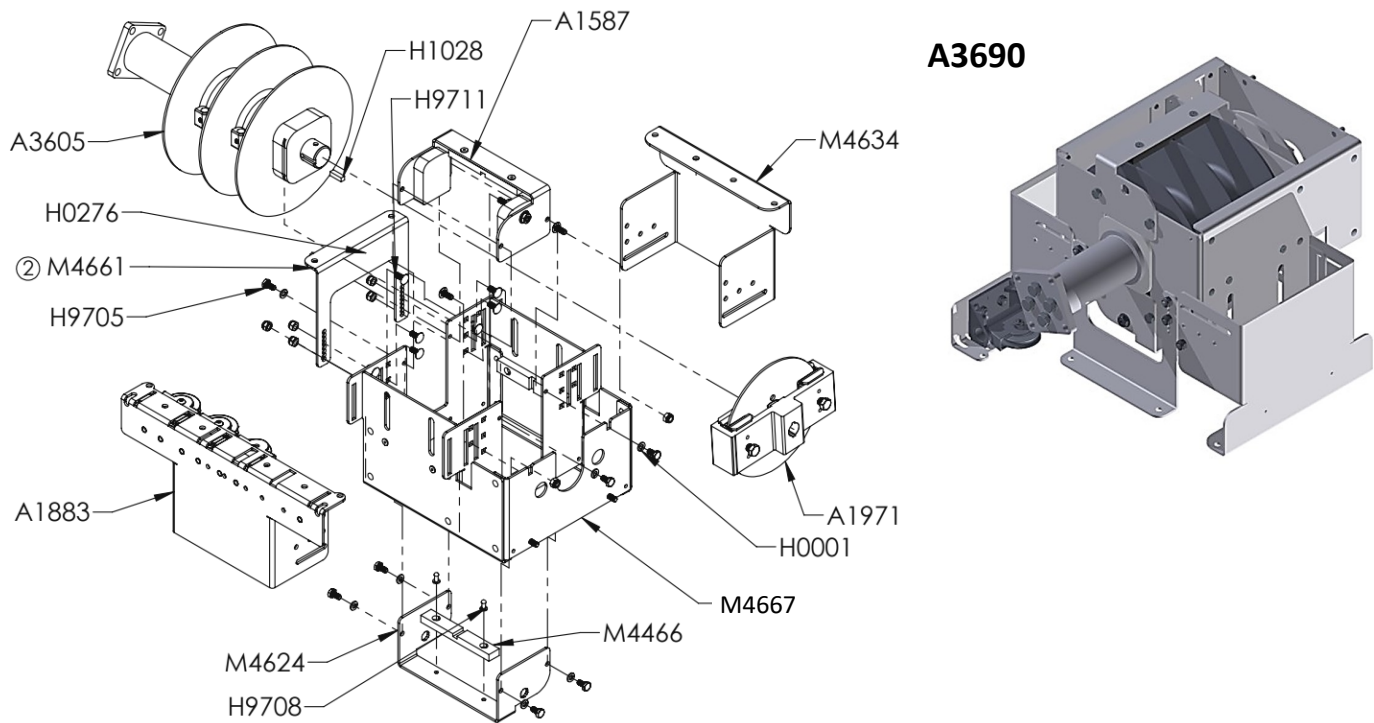


A3689



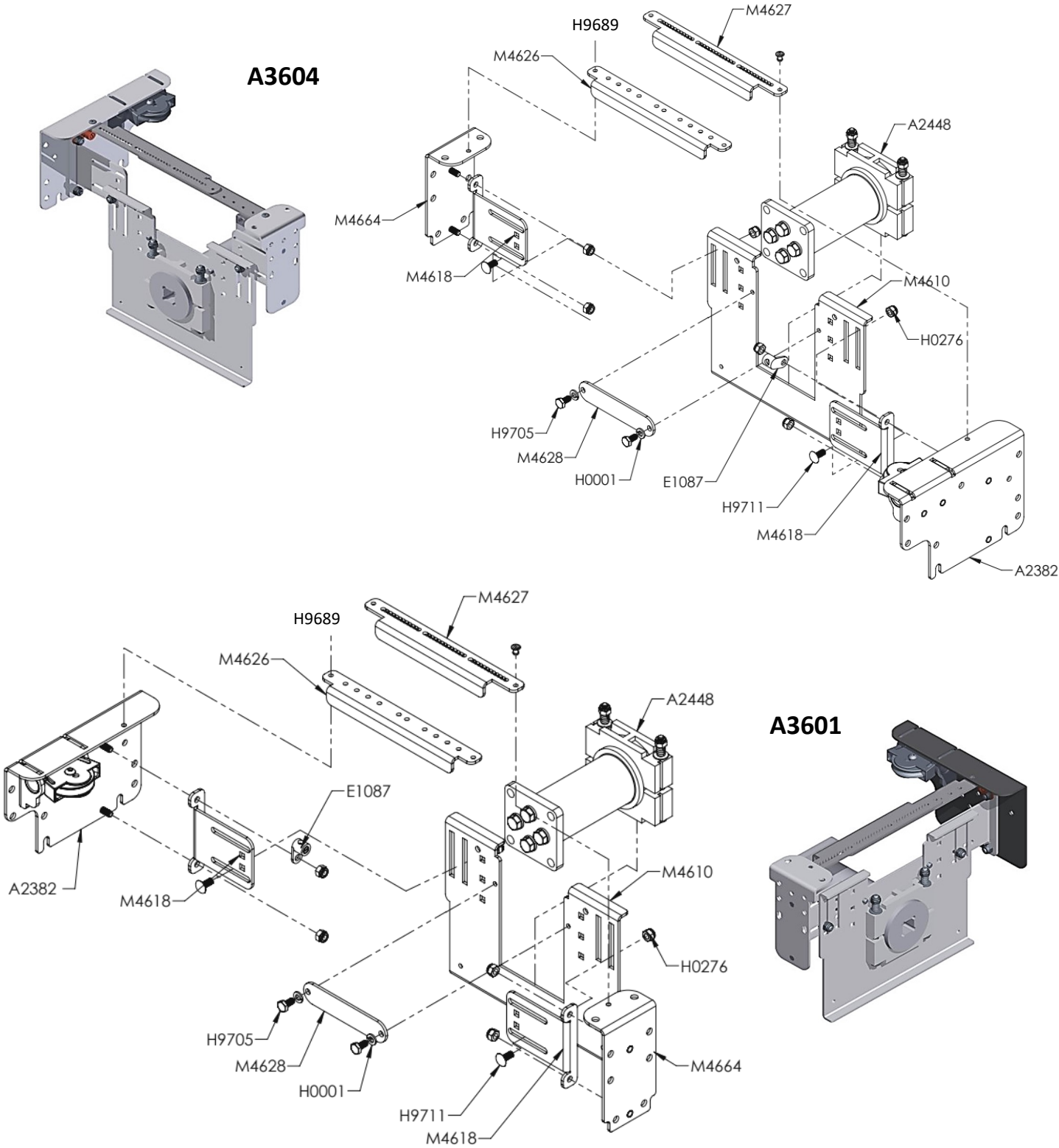
A3688	Eclipse Mechanism with Non-split Cone Recessed LEFT 214
A3689	Eclipse Mechanism with Non-split Cone Recessed RIGHT 214

Eclipse Mechanism Deck Mount Non-split Cone



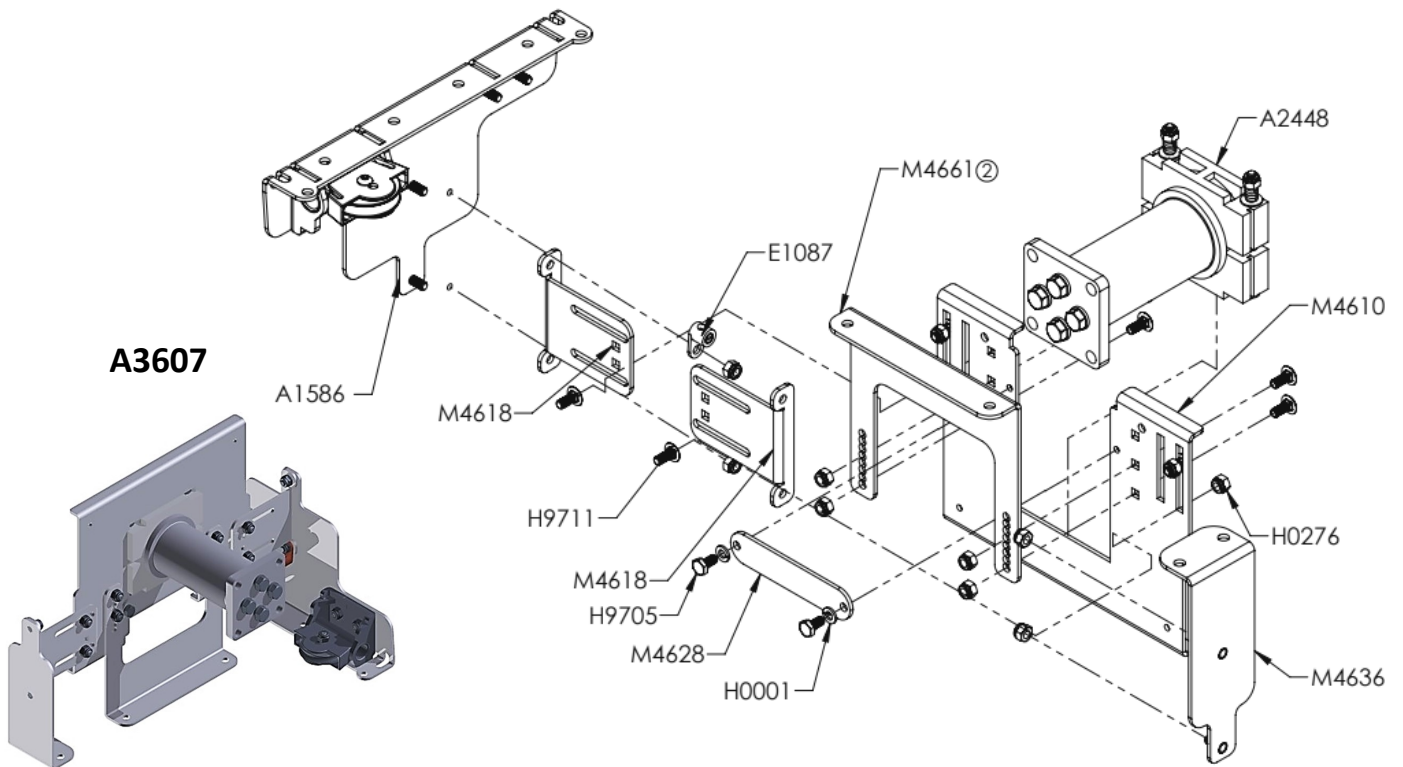
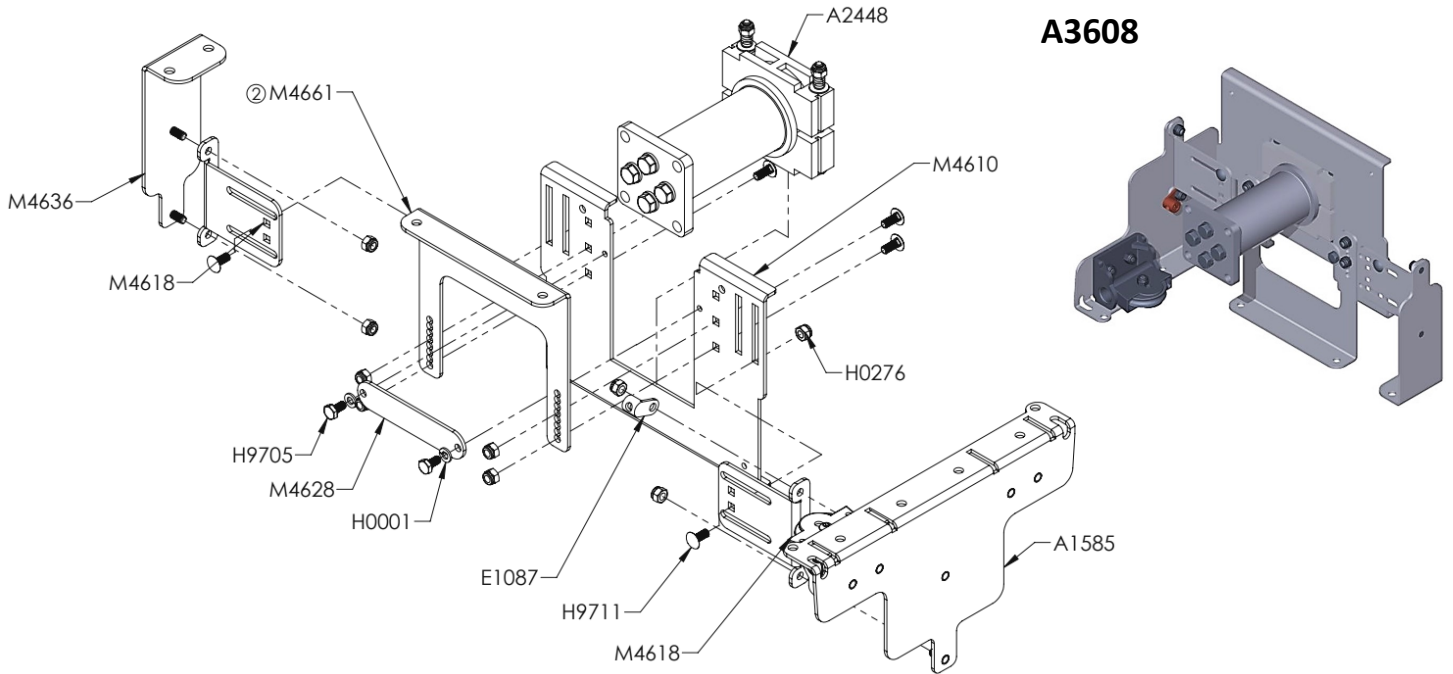
A3690	Eclipse Mechanism with Non-split Cone Deck LEFT 214
A3691	Eclipse Mechanism with Non-split Cone Deck RIGHT 214

Eclipse NME Recessed Assembly



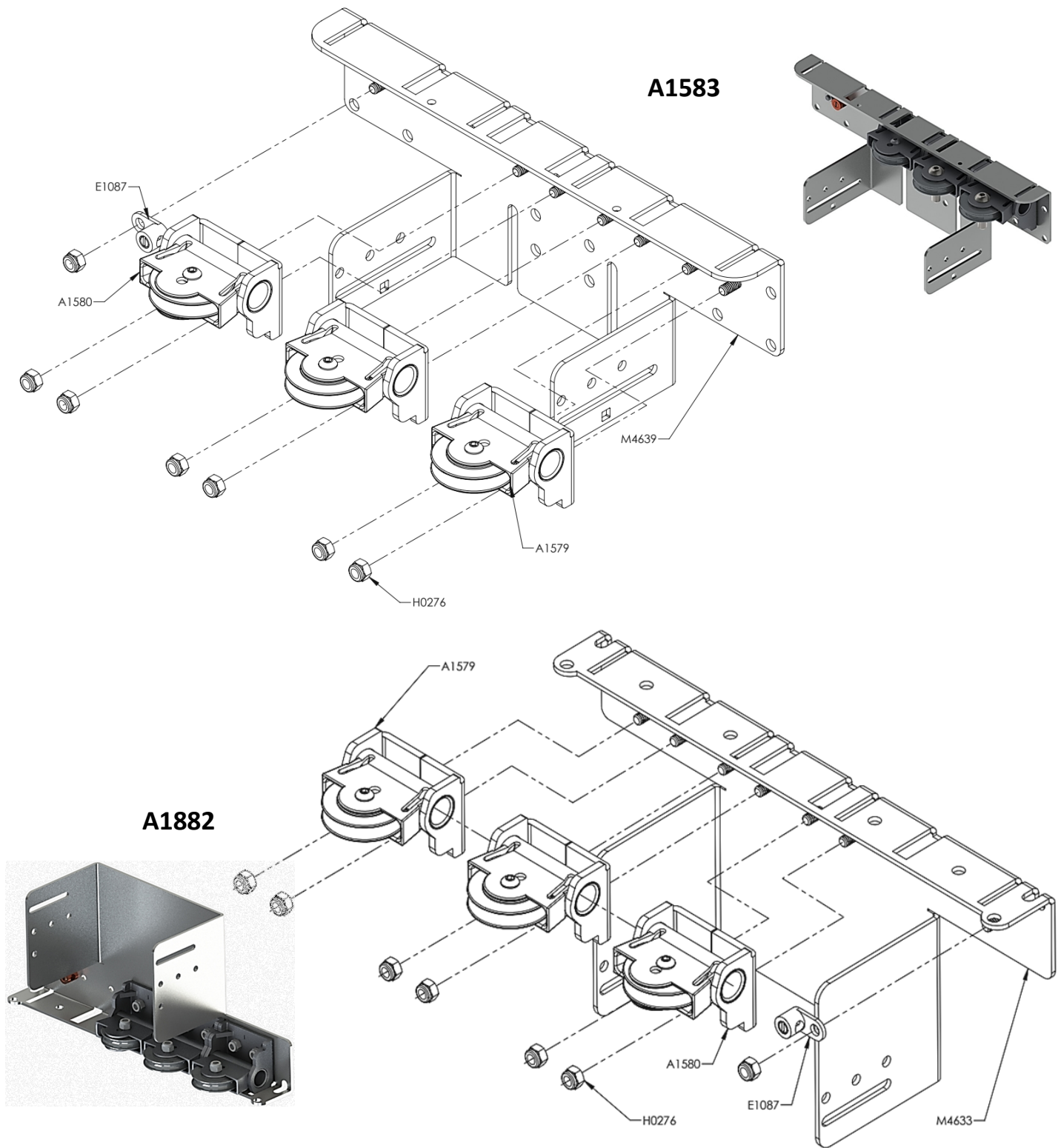
A3604	Eclipse NME Assembly Non-split Recessed LEFT 214
A3601	Eclipse NME Assembly Non-split Recessed RIGHT 214

Eclipse NME Deck Assembly



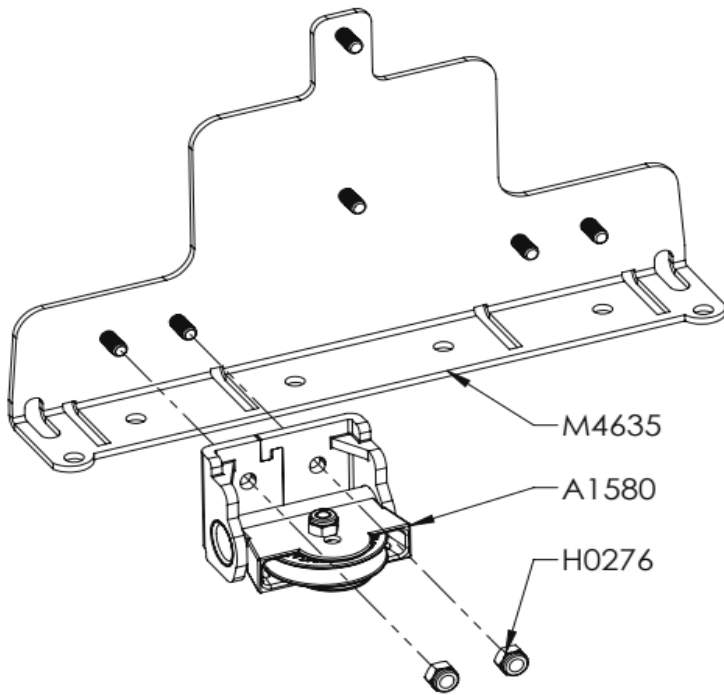
A3608	Eclipse 403 Deck RIGHT NME w/ Non-split Cone 214
A3607	Eclipse 403 Deck LEFT NME w/ Non-split Cone 214

Eclipse ME Pulley Bracket Assemblies

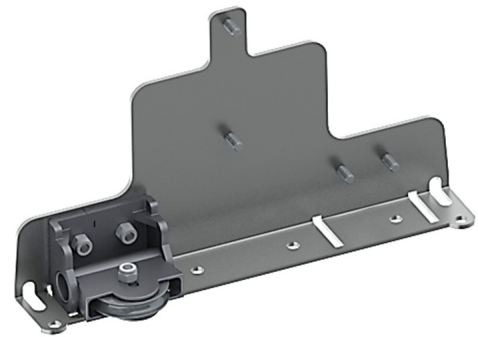


A1583	Eclipse 3 Pulley Bracket Assembly UT RIGHT
A1584	Eclipse 3 Pulley Bracket Assembly UT LEFT
A1882	Eclipse 3 Pulley Bracket Assembly Deck RIGHT
A1883	Eclipse 3 Pulley Bracket Assembly Deck LEFT

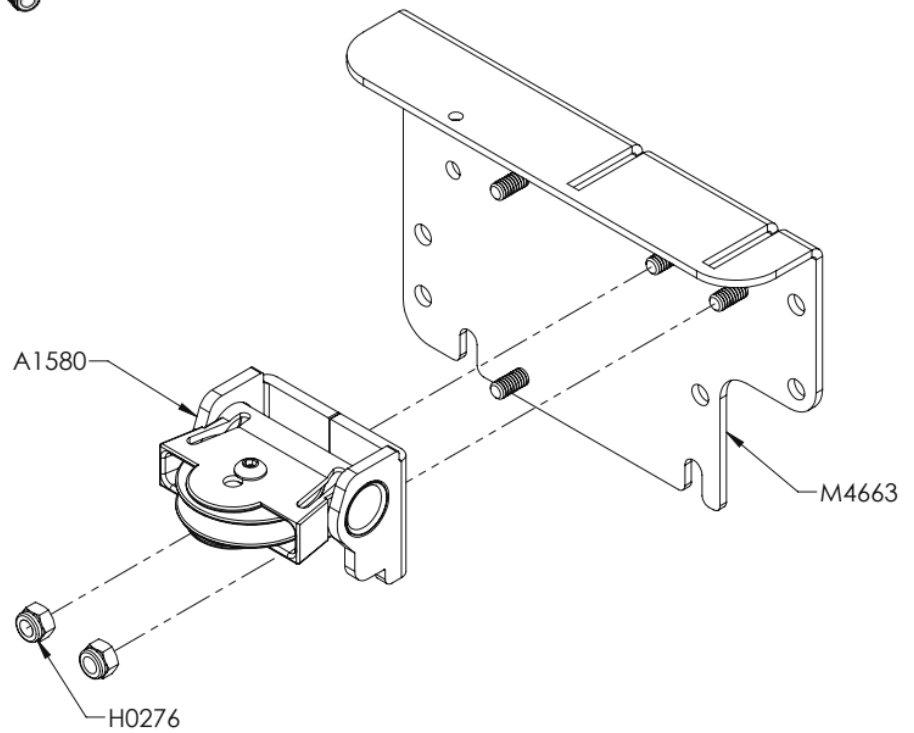
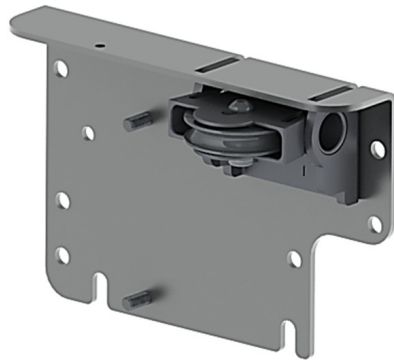
Eclipse NME Pulley Bracket Assembly



A1585

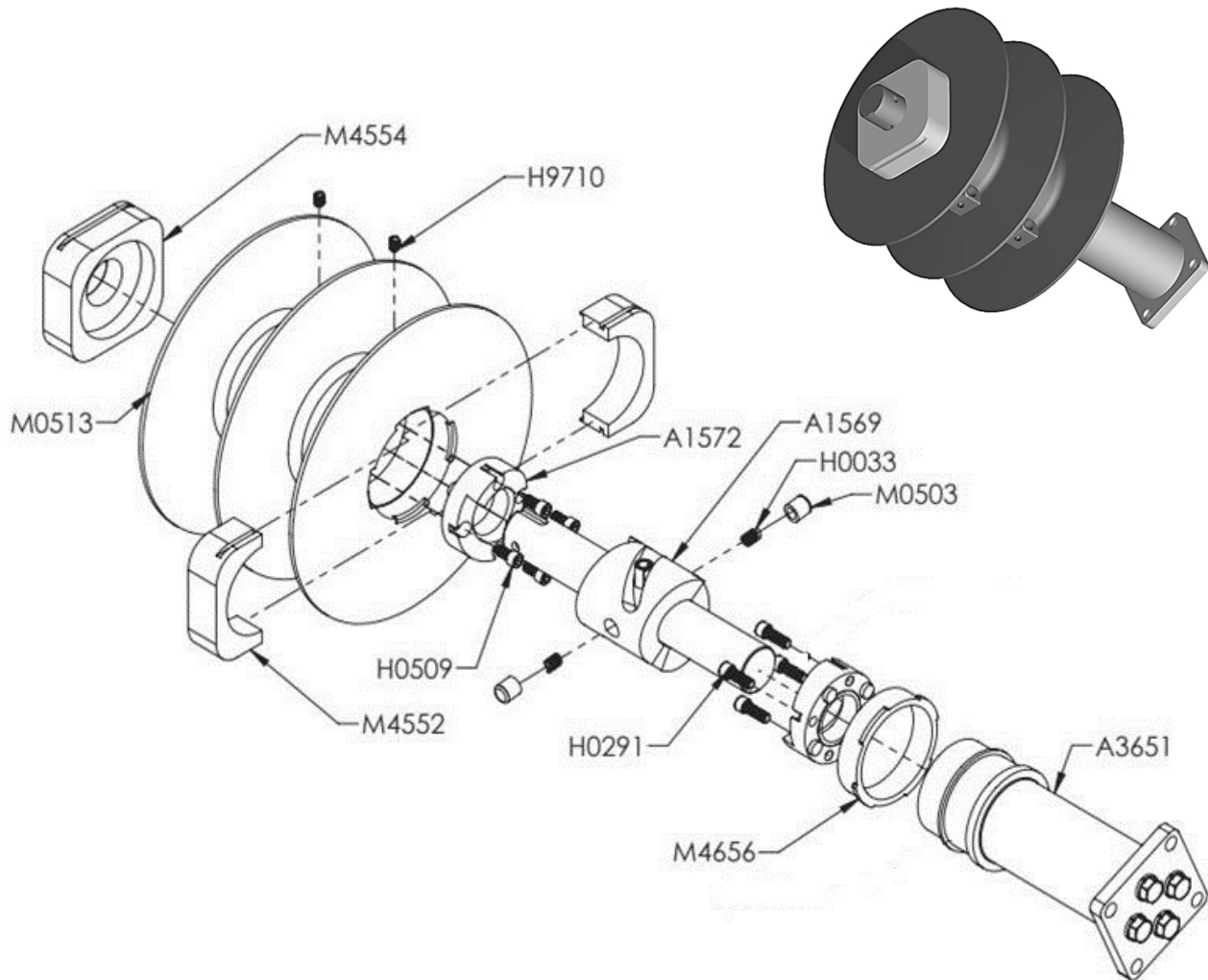


A2382



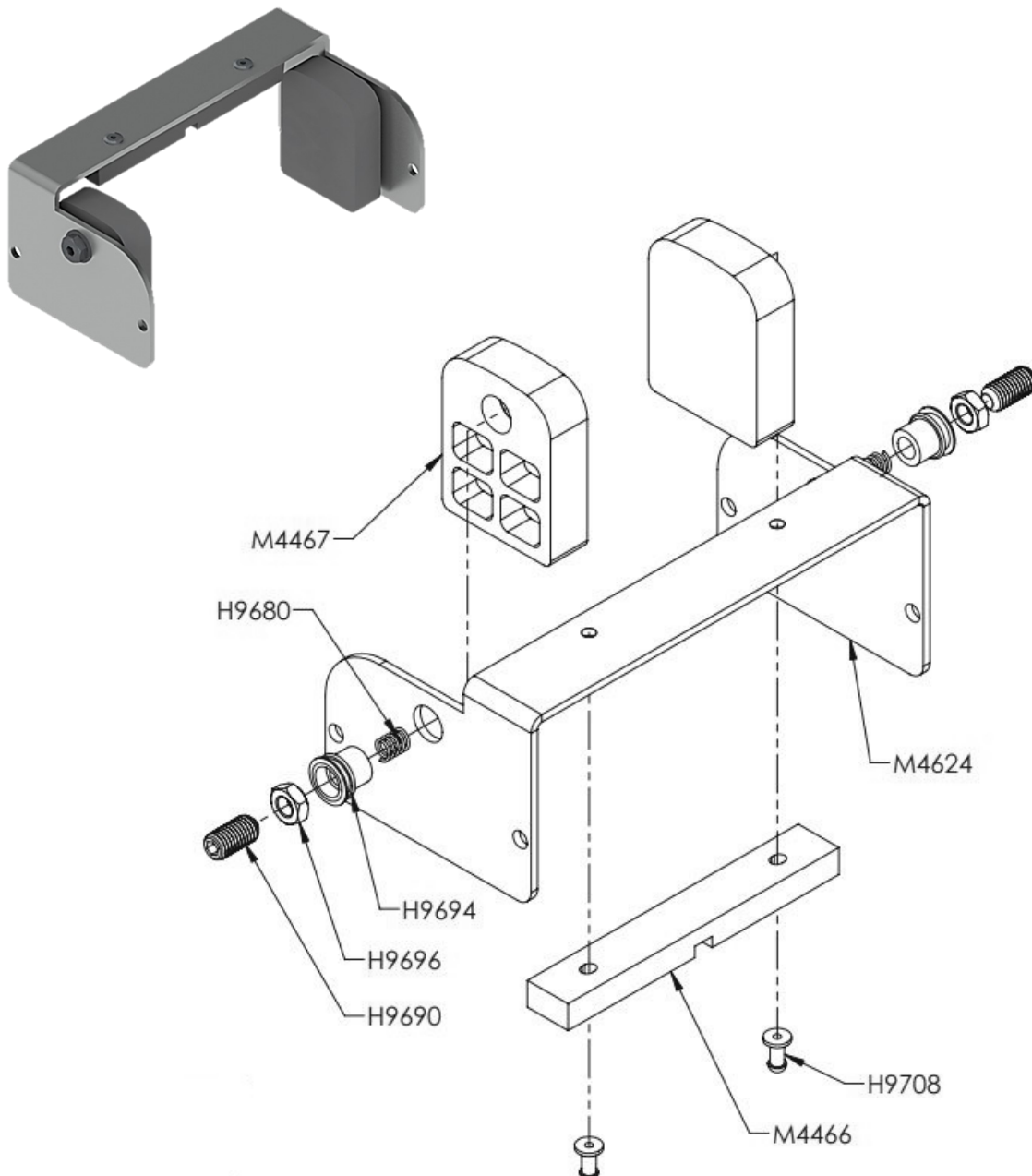
A1585	Bracket Assembly 1 Pulley NME Eclipse Deck RIGHT
A1586	Bracket Assembly 1 Pulley NME Eclipse Deck LEFT
A2381	Bracket Assembly 1 Pulley NME Eclipse UT RIGHT
A2382	Bracket Assembly 1 Pulley NME Eclipse UT LEFT

Eclipse Rope Reel Assembly



A3605	Eclipse Rope Reel Assembly w/ Gears & Non-split Cone RRT/DLT
A3606	Eclipse Rope Reel Assembly w/ Gears & Non-split Cone RLT/DRT

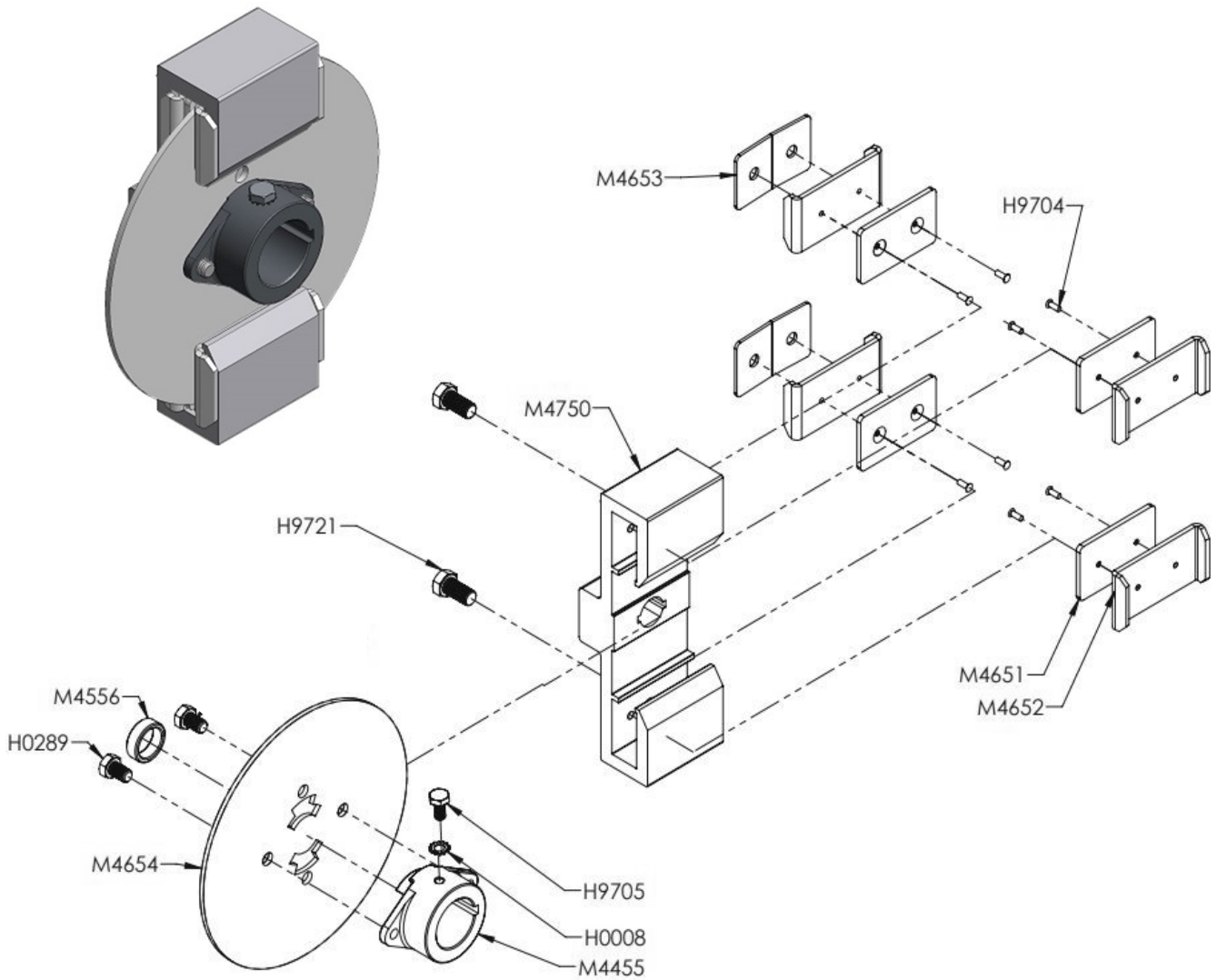
Eclipse Rope Reel Brake Assembly



A1587	Rope Reel Brake Assembly
-------	--------------------------

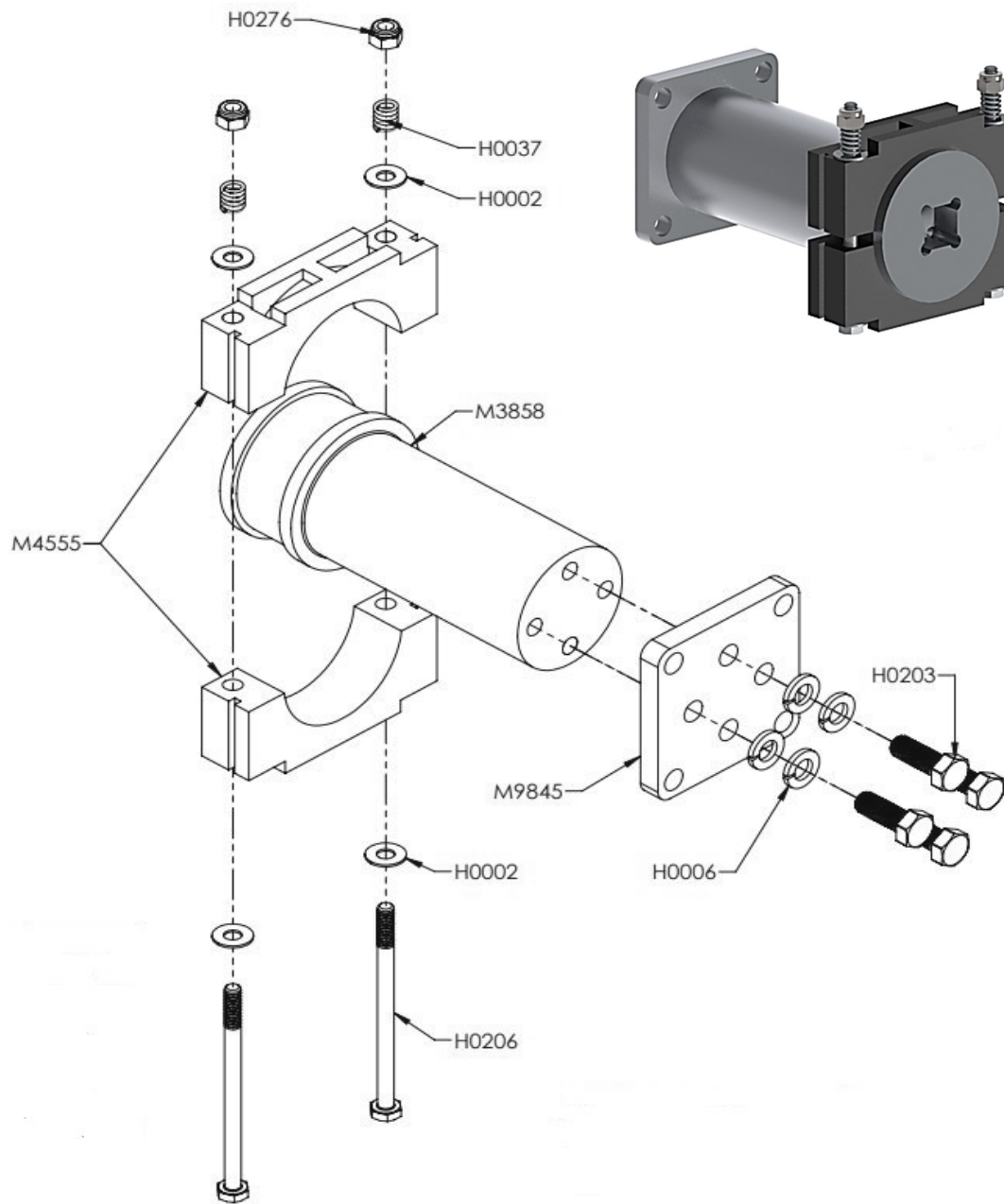


Eclipse Caliper Torque Limiter



A1971 Torque Limiter Assembly Model C Eclipse 2012

Eclipse NME Cone & Brake Assembly



A2448	Eclipse NME Cone and Brake Assembly
A1517	Eclipse NME Brake Assembly (no cone)

Lid and Bench Brackets

	<p>A1932 A0507 A1421 A1398 A3326 A2393 A2364 A2376 A2365 A2392</p>	<p>Lid Bracket adj. arm 13" Walk-on & Base SS Lid Bracket adj. arm 12" Walk-on STONE Lid 7.5" Base Aluminum Lid Bracket adj. Assembly 13" Walk-on with 7-1/2" Base Aluminum Lid Bracket adj. Assembly to Use with Flush Lid Kit for 14" Lid Aluminum Lid Bracket Width Extension Kit SS 418 Lid Bracket Ext Kit 15 - 17" SS 11.75" Long Lid Bracket Ext Kit 17 - 19" SS 13.75" Long Lid Bracket Ext Kit 19 - 21" SS 15.75" Long Lid Bracket Ext Kit 21 - 23" SS 17.75" Long Lid Bracket Ext Kit 23 - 25" SS 19.75" Long</p>
	<p>A0151</p>	<p>Lid Bracket Walk-on HD SS 3/8" Specify Size (1 week ship)</p>
	<p>M4105</p>	<p>Standard Under Track Lid Bracket</p>
	<p>M4106</p>	<p>Standard Top Track Lid Bracket</p>
	<p>M3970</p>	<p>Lid Bracket Walk-on End 5" Aluminum</p>
	<p>M3806</p>	<p>Lid Bracket Walk-on End 10" Aluminum</p>
	<p>55041 22662</p>	<p>Drop -in Lid Mount 10 ft Extended Drop-in Lid Mount, 5/16" Slots</p>
	<p>A2409 A2415</p>	<p>Lid Bracket w/ Bolt for 309 Riser Panel (X0944) SS for 14" Box Lid Bracket w/ Bolt for 309 Riser Panel (X0944) SS for 12-5/8" Box (Special order)</p>
	<p>A3409</p>	<p>Lid Bracket w/ Bolt for 419 Zero Reveal Riser</p>
	<p>A0231 A0008 A0154 A0002</p>	<p>Bench Bracket Center 14" High 21" Wide (1 week ship) Bench Bracket Center 15" High 19" Wide (1 week ship) Bench Bracket Center 15" High 21" Wide (1 week ship) Bench Bracket Custom Size (1 week ship)</p>

Classic Aluminum Lid for TT & UT Systems



X0004 X0817	Lid Aluminum 11" STD Per ft Lid Aluminum STD 20' 6"
X0121 X0659	Lid Aluminum Motor End Per ft Lid Non-motor End Aluminum Per ft
X0943 X0951	Lid Hinge 8" Aluminum 24 ft Lid Hinge 8" Aluminum Per ft
A0376	Lid Wedge Set of 2
A0025 A0026	Lid Kit Aluminum, 8" Hinge for 20' Track Space UT Lid Kit Aluminum, 8" Hinge for 20' Track Space TT
A1784	Lid Hinge Attachment Hardware Kit
A0375	Lid Endcap Set of 2

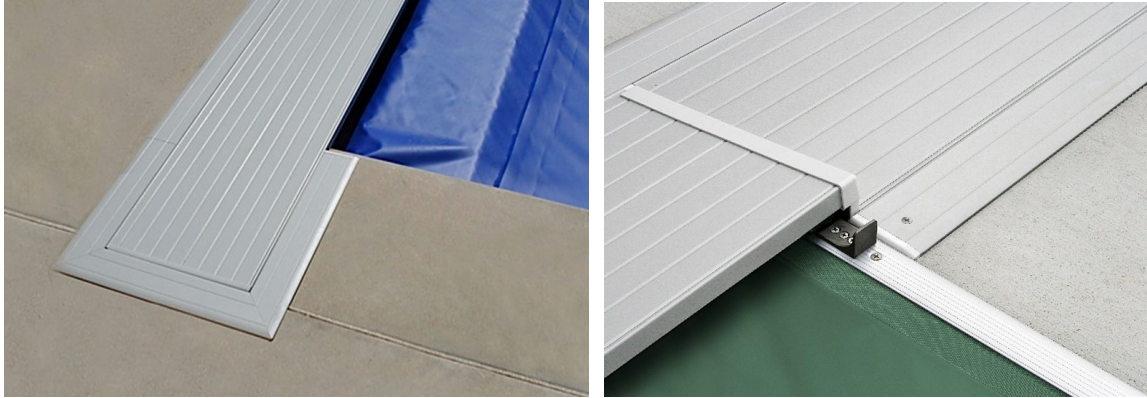


Flush Lid for TT & UT Systems



A2420	Lid Kit Only for 14" Box Flush Lid 309 Complete with Riser 24' (no box or C-Cap - order part A1752 if no profile)
A2421	Lid Kit Only for 12-5/8" Box Flush Lid 309 Complete with Riser 24' (no box or C-Cap - order part A1752)
A2422	Lid Kit Only for 15-1/2" Box Flush Lid 309 Complete with Riser 24' (no box or C-Cap)
A2418	Flush Lid 309 Extension Kit for 14" Lid Per ft (lid brackets not included)
A2417	Flush Lid 309 Extension Kit for 12-5/8" Lid Per ft (lid brackets not included)
A2419	Flush Lid 309 Extension Kit for 15-1/2" Lid Per ft (lid brackets not included)
X0008	6" Flush Lid Panel Snap
X0009	7-1/2" Flush Lid Panel Snap
X0944	Flush Lid Riser 309 - 24' GRAY
A2410	Riser Box End Assembly 309 for 14" Box
A2412	Riser Box End Assembly 309 for 12-5/8" Box
A2413	Riser Box End Assembly 309 for 15-1/2" Box
M9354	Riser Panel 309 Cut to fit Coping Transition Profiles 40" Long Notch on Both Ends
A2414	Flush Lid 309 Hardware Kit
A2489	Quick Attach Mechanism Mounting Kit 2013
A2896	Lock Assembly for Flush Lid Kit (Includes 2 locks)

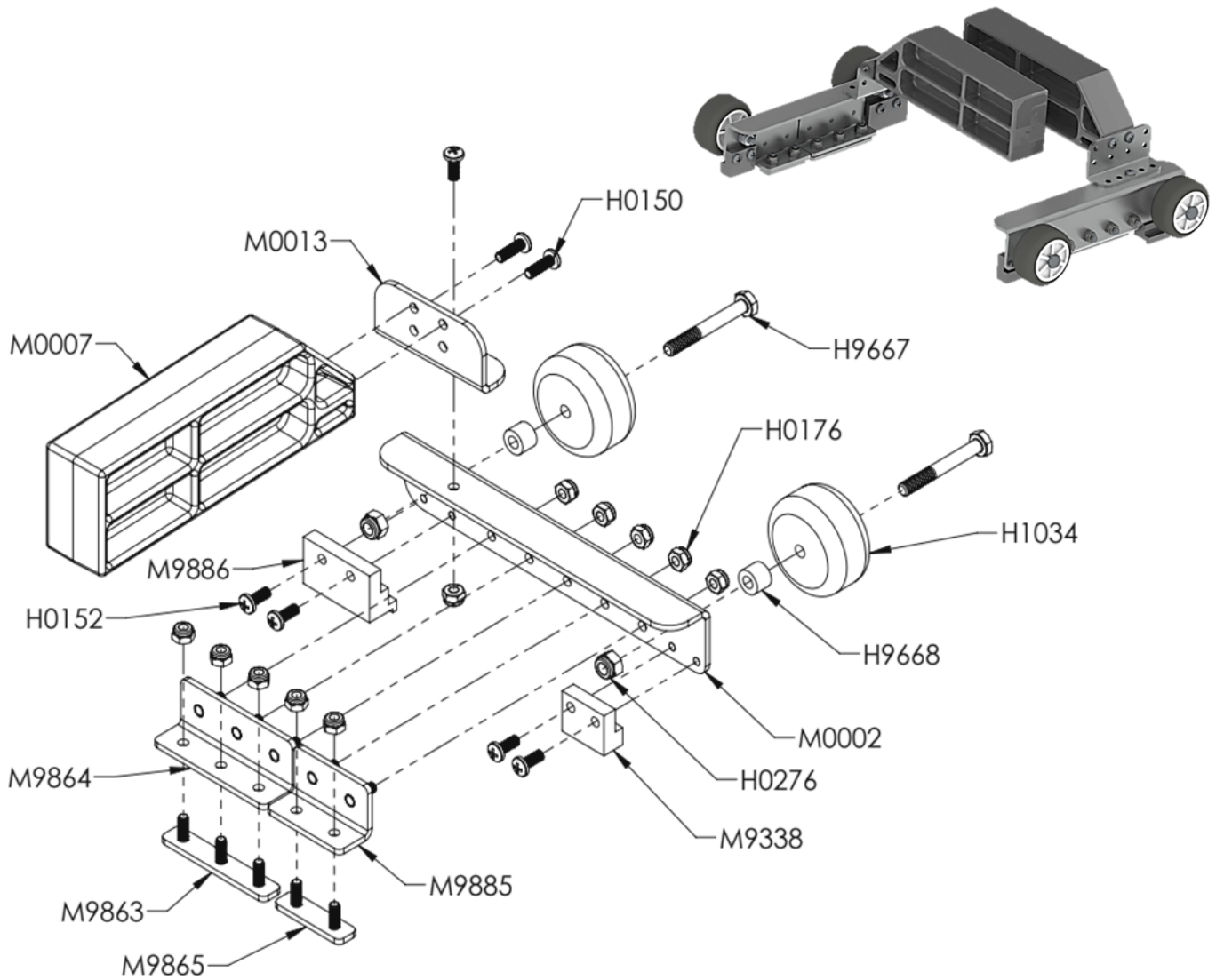
Flat Lid for TT and UT Systems



A2432	Lid Kit Flat 309 for TT 14" Box 24' Long (includes lid brackets)
A2433	Lid Kit Flat 309 for UT 14" Box 24' Long (no brackets)
A2431	Lid Kit Flat 309 for UT or TT 14" Box 4' Extension Kit
X0939	Flat Lid 309 Hinge 24 ft
X0940	Flat Lid 309 Lid Panel Attachment 24 ft
A3426	Flat Lid Endcap SET
A3425	Flat Lid 309 Wedge - for Snap Panels SET
A2427	Flat Lid 309 End Support Assembly LEFT for 14" Box
A2428	Flat Lid 309 End Support Assembly RIGHT for 14" Box
A2429	Flat Lid 309 End Support Assembly for 14" Box SET
M9363	Flat Lid 309 Cut Cover for 14" Box
M9362	Splice for Flat Hinged Lid 309
X0053	Metal Box C-Cap

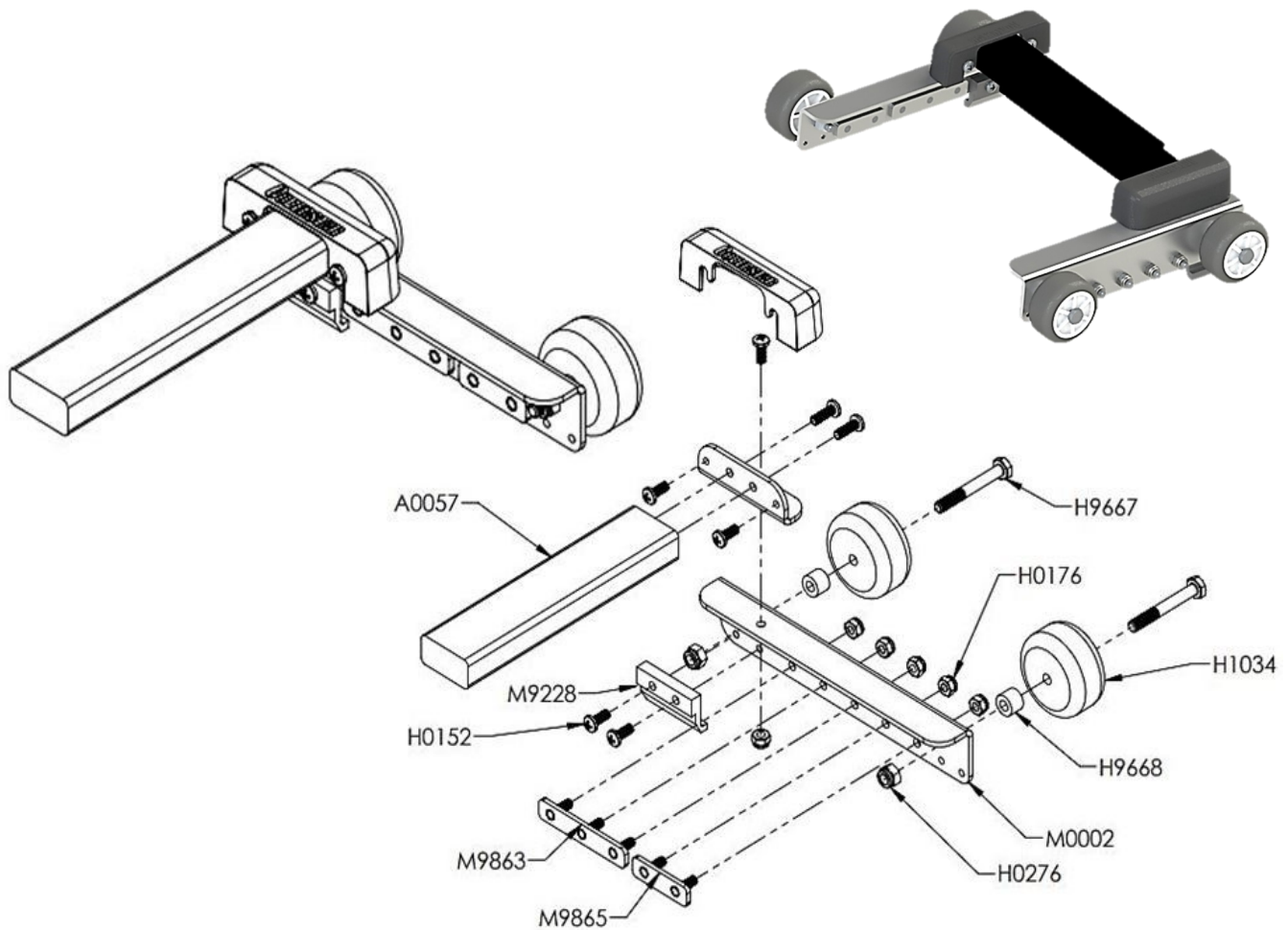


Wheel Assembly TT for 2-1/2" LE



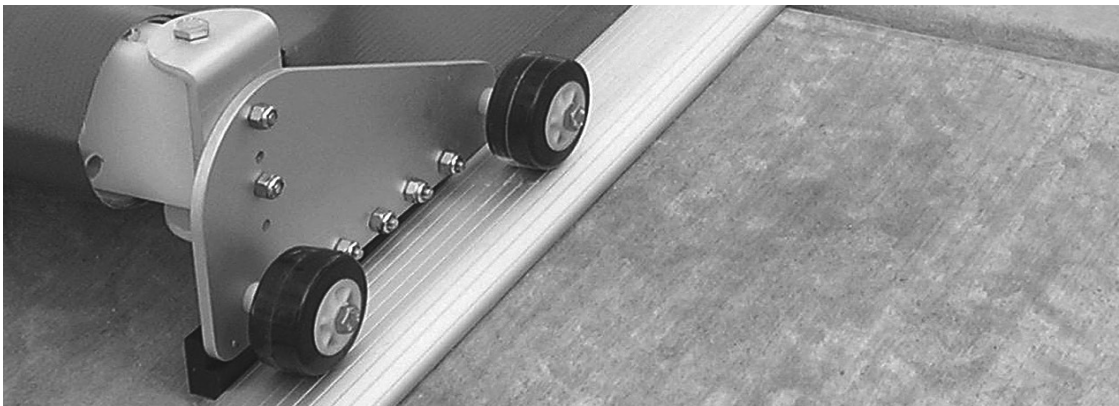
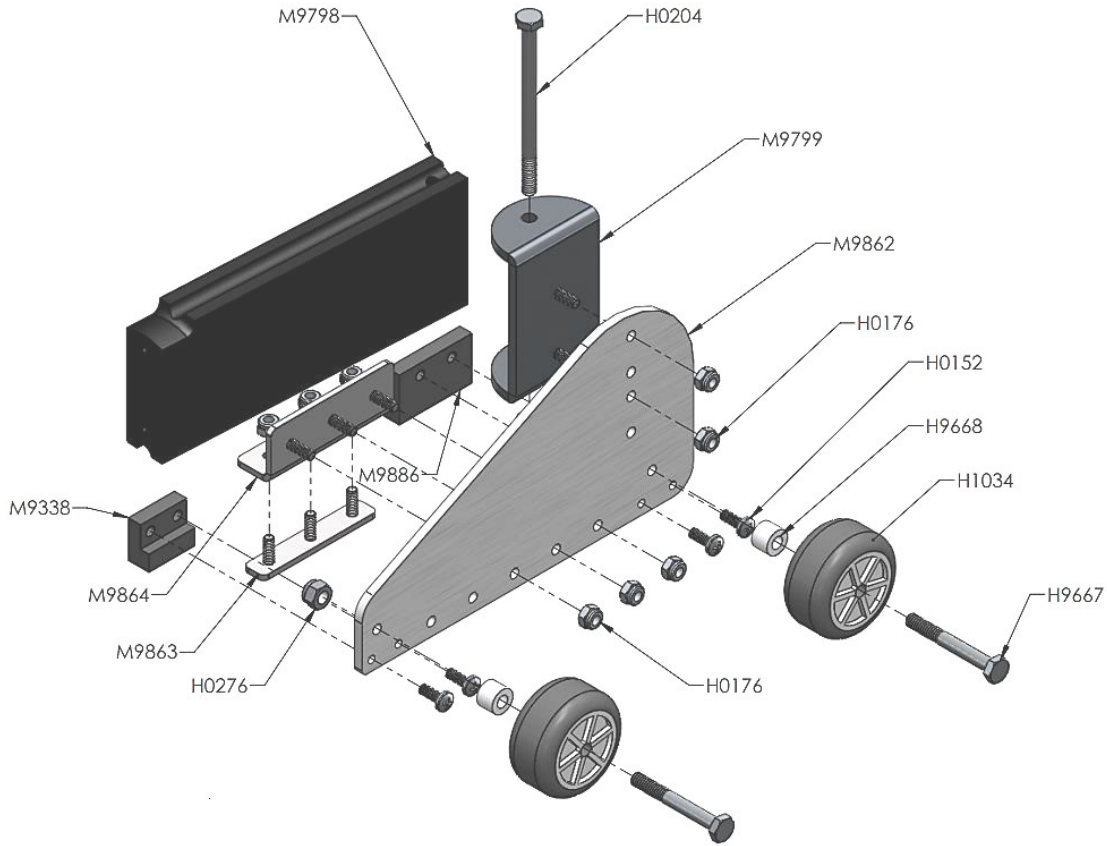
A1546	Wheel Assembly for 2-1/2" LE Standard TT SET
A1536	Wheel Assembly for 2-1/2" LE Standard TT RIGHT
A1538	Wheel Assembly for 2-1/2" LE Standard TT LEFT
A1568	Wheel Assembly for 2-1/2" LE RHT / RVT SET
A1567	Wheel Assembly for 2-1/2" LE RHT / RVT RIGHT
A1566	Wheel Assembly for 2-1/2" LE RHT / RVT LEFT

Wheel Assembly TT for 1" LE



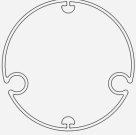

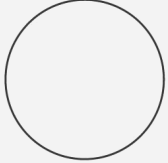
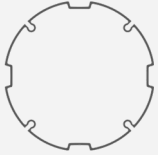

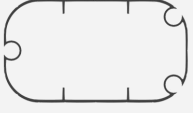
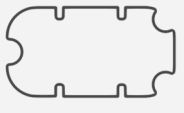
A1575	Wheel Assembly for 1" LE RHT / RVT SET
A1570	Wheel Assembly for 1" LE RHT / RVT RIGHT
A1571	Wheel Assembly for 1" LE RHT / RVT LEFT
A1552	Wheel Assembly for 1" LE Standard TT SET
A1544	Wheel Assembly for 1" LE Standard TT RIGHT
A1545	Wheel Assembly for 1" LE Standard TT LEFT

Wheel Assembly TT for 3" LE



A1565	Wheel Assembly 805 TT w/ LE Inserts 3" Tube SET
A1562	Wheel Assembly 805 TT w/ LE Inserts 3" Tube LEFT
A1563	Wheel Assembly 805 TT w/ LE Inserts 3" Tube RIGHT
A2198	Wheel Assembly 805 w/ LE Inserts 3" Tube Gray SET
A2194	Wheel Assembly 805 RHT 305, RVT w/ LE Inserts 3" Tube Gray LEFT
A2195	Wheel Assembly 805 RHT 305, RVT w/ LE Inserts 3" Tube Gray RIGHT

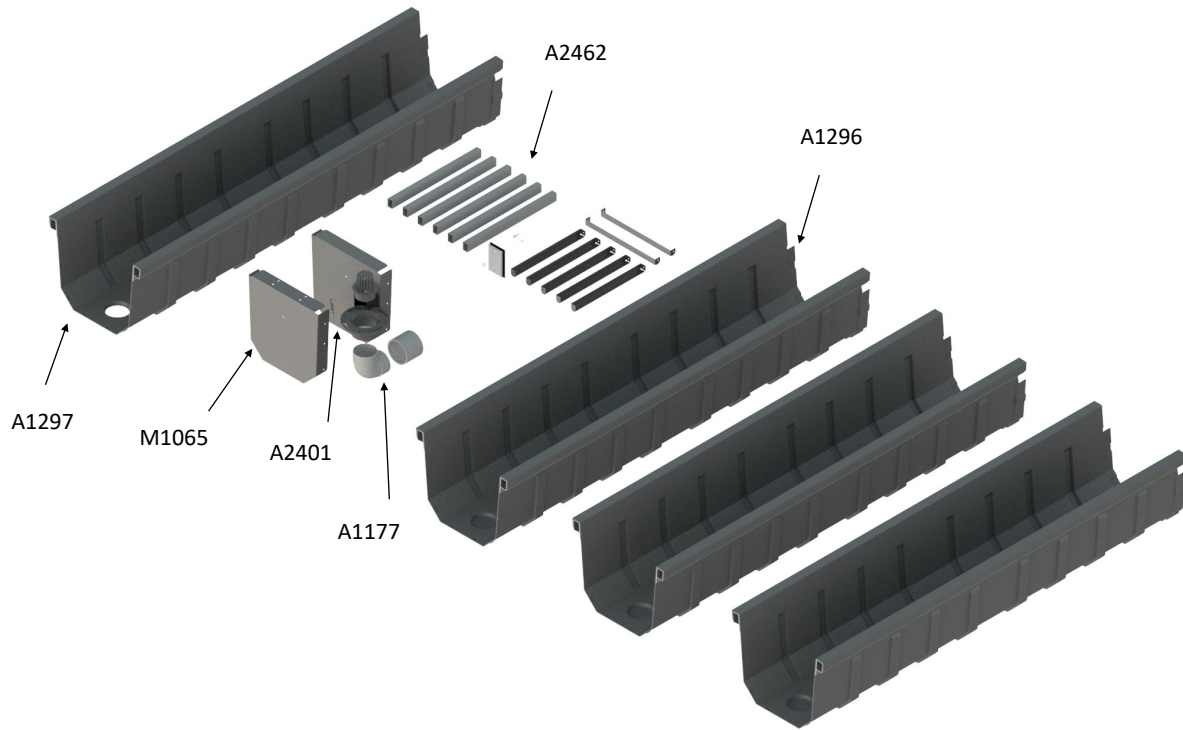
Roll-up Tubes & Leading Edges

	X0021 X0080	Tube 3" LE Dual Purpose Non-anodized 20' Standard Tube 3" LE Dual Purpose Anodized 24' (Special order)
	X0718	Tube 2" x 16'-6"
	X0676 X0015 X0679 X0001 X0677	Tube 4" Aluminum 40 ft Tube 4" Aluminum Per ft Tube 5" Aluminum .078 Wall 40 ft Tube 5" Aluminum STD Per ft Tube 6" Aluminum STD 40 ft
	X0672 X0673 X0450 A0796	Tube 6" Extruded Clear Anodized 28 ft Tube 6" Extruded Clear Anodized 20 ft Tube 6" Extruded Splice 72 in. Tube Insert for Extruded 6" Tube w/ Screws
	X0717	Leading Edge Bar 1" Flat 16 ft
	X0007 X0024 M3315 M3316	Tube 2-1/2" Leading Edge Anodized 20 ft Tube 2-1/2" Leading Edge Anodized 24 ft LE Support Raises 2-1/2" LE 1 inch LE Support Raises 2-1/2" LE 2 inches
	X0451	Rectangle LE Splice 2-1/2" 2018

Roll-up Tube & Leading Edge Inserts

	A0436 A1159 M0311	Tube Insert w/ Screws for 4" Tube Tube Insert w/ Screws for 5" Tube Tube Insert for 4" Tube (no screws)
	M3875 A0798 A0352	Tube Insert 10" (insert for drive tube) Tube Insert w/ Screws for 10" Tube Tube Insert w/ Screws for 8" Tube
	M9682 A0797	Composite Tube Insert for 6" Tube Tube Insert w/ Screws for 6" Tube
	M4218	Tube Insert Composite for 4.7" Extruded Tube
	A0093 A1001 A0800	Leading Edge Adapter 4" (3" tube w/ white donuts) Leading Edge Adapter 5" (3" tube w/ white donuts) Leading Edge Adapter 6" (3" tube w/ white donuts)
	M0008	Leading Edge Endcap 2-1/2"
	M0007	Rectangular Leading Edge Insert 2-1/2"
	A1678	LE Insert & Caps for 2-1/2" LE SET
	A1688 A1276	Leading Edge Insert Assembly UT for 3" LE SET Leading Edge Insert Assembly UT for 2" LE SET
	A0057	Leading Edge Insert Assembly for 1" LE

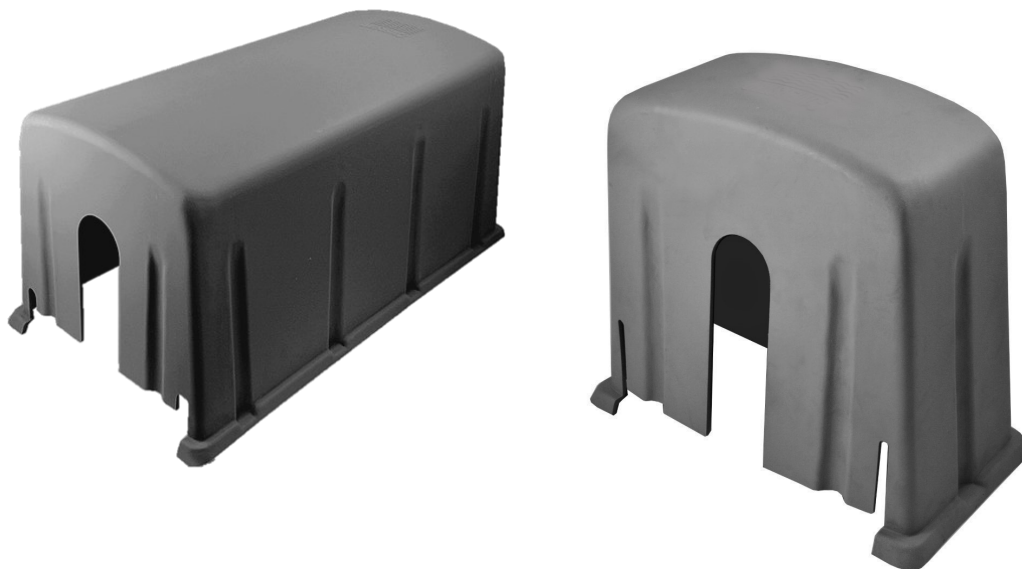
Polymer Housing



A2400	Polymer Housing Assembly 24' (order mounting kit separately)
A2462	Polymer Housing Hardware Kit 24' (order mounting kit separately)
A2402	Polymer Housing Assembly 18' (order mounting kit separately)
A2407	Polymer Housing Hardware Kit 18' (order mounting kit separately)
A2408	Polymer Housing 6' Extension w/ Splice
A2404	Polymer Housing 311 Mounting Kit UT (for VL pools)
A2405	Polymer Housing 311 Mounting Kit UT (for gunite pools)
A2403	Polymer Housing 311 Mounting Kit RT (for gunite or VL pools)
A2849	Polymer Housing 311 Mounting Kit UT (for fiberglass pools)
A2850	Polymer Housing 311 Mounting Kit UT (for fiberglass pools) w/ Standoff Brackets
A3430	Housing Turnbuckle Backfill Brace
A3551	Housing Turnbuckle Brace Set of 5



Deck Mount Plastic Housings



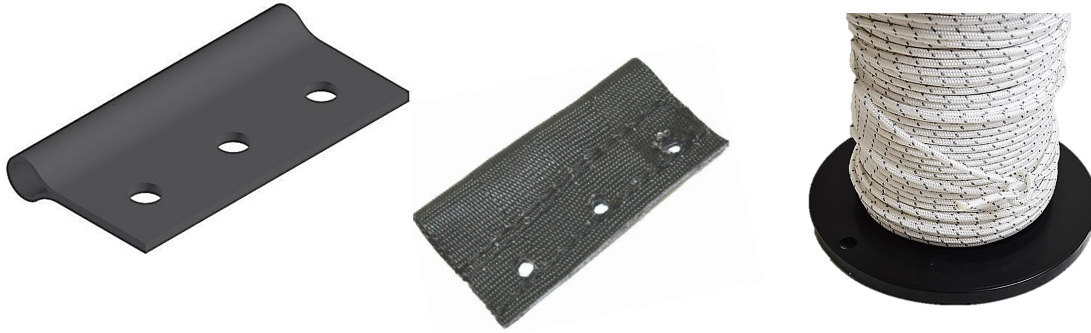
A0240	Housings Plastic GRAY LEFT/ RIGHT SET
H9590	Deck Mount Motor End Cover GRAY
H9650	Deck Mount Non-motor End Cover GRAY
A0239	Housings Plastic WHITE LEFT/ RIGHT SET
H1036	Deck Mount Motor End Cover WHITE
H1037	Deck Mount Non-motor End Cover WHITE

Aluminum Bench



A3358	Aluminum Bench 23" Wide 24' Long
A3385	4 ft. Bench Extension Kit for A3358
A3380	Aluminum Bench 23" Hardware Kit
M1051	Aluminum Bench 23" Bracket
M1053	Aluminum Bench Attachment Bracket

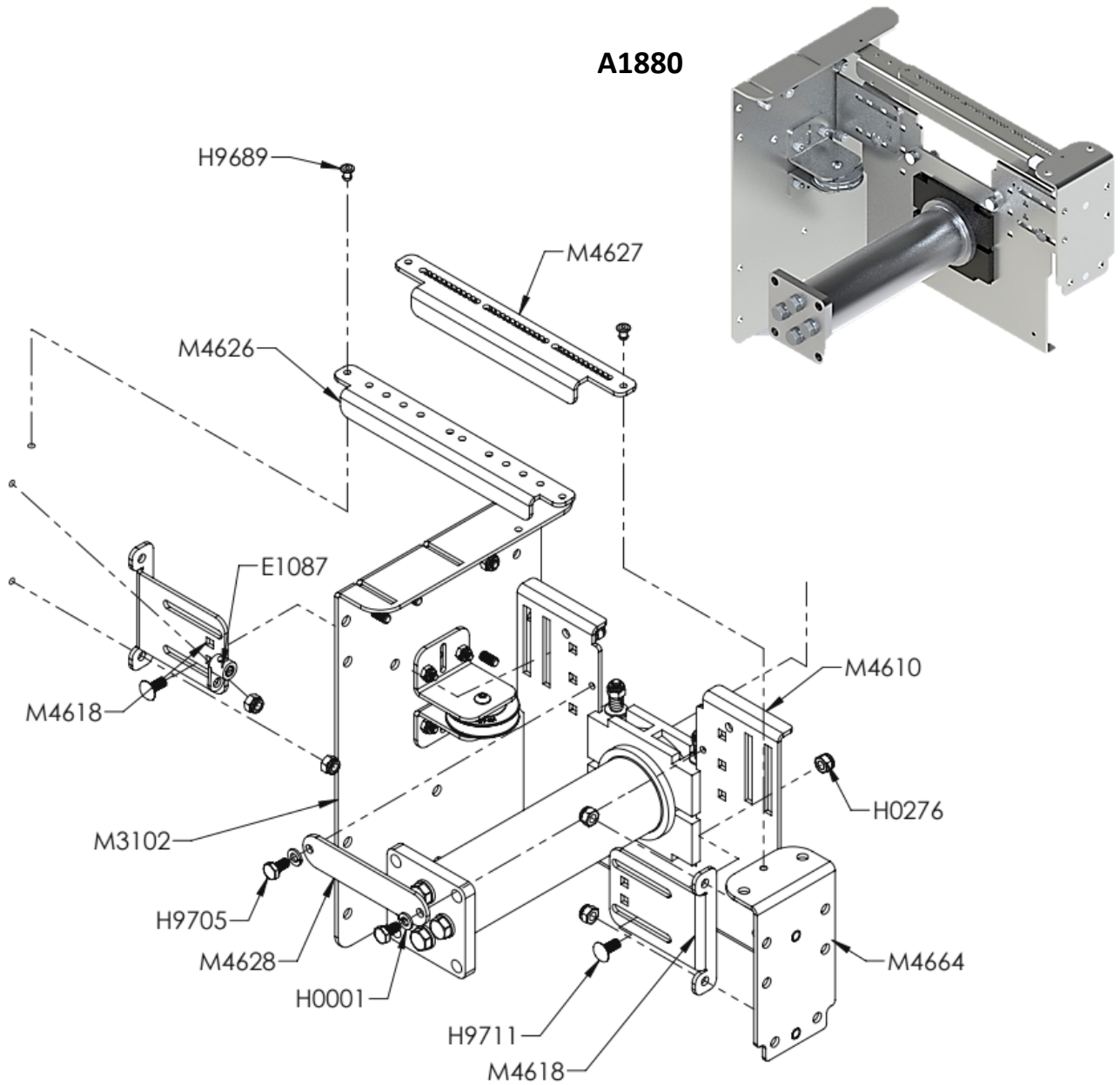
Rope and Semi-rigid Tab



C5080	PowerFlex® Rope 80 Semi-rigid Tab 518
C5090	PowerFlex® Rope 90 Semi-rigid Tab 518
C5100	PowerFlex® Rope 100 Semi-rigid Tab 518
C5110	PowerFlex® Rope 110 Semi-rigid Tab 518
C5120	PowerFlex® Rope 120 Semi-rigid Tab 518
C5125	PowerFlex® Rope 125 Semi-rigid Tab 518
C5130	PowerFlex® Rope 130 Semi-rigid Tab 518
C5140	PowerFlex® Rope 140 Semi-rigid Tab 518
C5150	PowerFlex® Rope 150 Semi-rigid Tab 518
C5200	PowerFlex® Rope Custom Per Foot Semi-rigid Tab 518
C1267	Rope 2013 PowerFlex® White Silver Tracer Per Foot
C4062	Tab, Semi-rigid for Detachable Rope 418

C3280	PowerFlex® Detachable Rope Assembly 80 Ft
C3290	PowerFlex® Detachable Rope Assembly 90 Ft
C3200	PowerFlex® Detachable Rope Assembly 100 Ft
C3210	PowerFlex® Detachable Rope Assembly 110 Ft
C3220	PowerFlex® Detachable Rope Assembly 120 Ft
C3225	PowerFlex® Detachable Rope Assembly 125 Ft
C3230	PowerFlex® Detachable Rope Assembly 130 Ft
C3240	PowerFlex® Detachable Rope Assembly 140 Ft
C3250	PowerFlex® Detachable Rope Assembly 150 Ft
C3300	PowerFlex® Rope Custom Per Foot
C1062	Detachable Rope 3" Tab Only Ready to Install on Rope

Vanishing Edge System Eclipse



A1879	NME Assembly Eclipse VE UT Right/ Motor LEFT
A1880	NME Assembly Eclipse VE UT Left/ Motor RIGHT
A3612	VE Kit UT Vertical Right/ Motor LEFT
A3613	VE Kit UT Vertical Left/ Motor RIGHT


Vanishing Edge Assembly & Hardware

	A3420 A3421	Guide Feed Assembly for UT VE LEFT/ Motor RIGHT Guide Feed Assembly for UT VE RIGHT/ Motor LEFT
	A3730 A3731	VE Kit - Redirects the Rope Under the Roll-up Tube, LEFT VE Kit - Redirects the Rope Under the Roll-up Tube, RIGHT
	A3451 A3452	Bottom VE Guide Feed RIGHT Bottom VE Guide Feed LEFT
	M3600	Teardrop Shaped VE Spacer
	M3100	NME Cone Eclipse VE 3" Offset
	M3818	Spacer for VE Track 1-1/2" x 1-1/2" x 3/8"
	A2873 A2874	Slider Assembly UT Vertical VE LEFT Slider Assembly UT Vertical VE RIGHT
	M9501 M9502 M9503	VE LE Support for 2-1/2" LE 3-1/2" VE LE Support for 2-1/2" LE 4-1/2" VE LE Support for 2-1/2" LE 5-1/2"
	A0265 A1414 A1415	Diverter Pulley for VE, Mounts Behind Guide Feed L or R/ ME or NME Pulley Endcap TT for Vanishing Edge VE SS RIGHT Pulley Endcap TT for Vanishing Edge VE SS LEFT
	A1417	Pulley Endcap UT w/ Stop VE Side

Sliders

	<p>A1100</p>	<p>Slider Assembly for Detachable Rope STD SET</p>
	<p>A0949 A0696</p>	<p>Slider Assembly UT 403/805 w/ Wire STD SET Slider Assembly UT w/ Wire Pre-403 SET</p>
	<p>A1153 A1152 A1151</p>	<p>Slider Assembly UT Retro for Detachable Rope Pre-403/805 Track White SET Slider Assembly UT LEFT Retro for Detachable Rope Pre-403/805 Track White Slider Assembly UT RIGHT Retro for Detachable Rope Pre-403/805 Track White</p>
	<p>M9886</p>	<p>Slider Stop Block for Wheel Assembly 403/805 for STD TT Locks into Track</p>
	<p>M9338</p>	<p>Slider Stop Block for Wheel Assembly for STD TT 403 Using Detachable Rope</p>
	<p>M9228</p>	<p>Slider Stop Block for Wheel Assembly 805 for RHT and RVT Locks into Track</p>
	<p>A1154</p>	<p>Slider TT Assembly w/ Wire Pre-403 Wire-on Retro Fits to Original Wheel Assembly</p>
	<p>M0365</p>	<p>Slider TT 1" x 1/2" x 3" Pre-403</p>

Track & Hardware for Deck Mount TT Systems

	<p>X0656 A1050</p>	<p>Track TT 403 for Detachable Rope 22' STD Track Ext. Package 403 TT 1 Piece & 2 Splices, 13 Screws & Anchors</p>
	<p>X0675 A1051 A1893</p>	<p>Track TT 403 for Detachable Rope 22' BRONZE Track Ext. Package 403 TT 1 Piece Bronze, 2 Splices, Screws & Anchors Track Package 403 TT BRONZE for Detachable Rope (4 guides, pulleys, guide feed, etc.)</p>
	<p>A1924</p>	<p>Splice Kit for Track TT 403</p>
	<p>A1795</p>	<p>Top Track Guide Hardware Kit 403 (screws, anchors, guide feed, splices, pulley endcap etc.)</p>
	<p>A0993</p>	<p>Guide Feed Assembly TT w/ Mounting Hardware Each</p>
	<p>A2423 H1070</p>	<p>Pulley Endcap Top Track Assembly SS Pulley .250 Double Ball Bearing STD</p>
	<p>M9797</p>	<p>Stop TT 403 L Shaped SS</p>
	<p>A1798 A1705</p>	<p>Screw, 30 Pk PFSM 12 x 1-3/4" (H0334) Anchor Plastic 60 Pk STD #12 (H0340)</p>
	<p>A0952</p>	<p>Track Package 403 TT for Detachable Rope (4 guides, pulleys, guide feed, etc.)</p>
	<p>A1054 A1043 A1042</p>	<p>Track Conversion Package 403 TT 44' 20 ft LE Track Conversion Package TT 24' Anodized LE 2-1/2" Track Conversion Package TT 20' Anodized LE 2-1/2"</p>

Track & Hardware for Under Track Systems

	<p>X0614 X0820 X0674 A1039 A1040 A1058</p>	<p>Track UT 403 for Detachable Rope 21' STD (no mounting holes) Track UT 403 for Detachable Rope 21' w/ Mounting Holes Track UT 403 for Detachable Rope 21' BRONZE Track Conversion Package UT 20' LE (2-1/2") Track Conversion Package UT 24' LE (2-1/2") Anodized Track Conversion Package UT 403 TL 42', 20' LE</p>
	<p>X0765</p>	<p>Protector for Encapsulated Track, Covers Track Face During Construction 21 ft</p>
	<p>X0666</p>	<p>Protector for UT 403 & 801 Rigid PVC Covers Track During Construction 21 ft</p>
	<p>A1923</p>	<p>Splice Kit for Track UT 403</p>
	<p>A0407</p>	<p>Bracket Encapsulated UT w/ Screws, Anchors & Nuts SET</p>
	<p>A0958</p>	<p>Pulley Endcap Assembly Twist Lock UT 817</p>
	<p>A0996 UT1060</p>	<p>Guide Feed UT 801/403 STD w/ Hardware Each Guide Feed UT 403 SET</p>
	<p>A1792</p>	<p>UT Encapsulation Track Hardware Kit</p>
	<p>A1793</p>	<p>UT Screw-on Track Hardware Kit</p>
	<p>A0953</p>	<p>Track Package UT 403 for Detachable Rope (4 guides, pulleys, guide feed, etc.)</p>

Flush Track Kits and Hardware

	<p>A2123 X0849 X0850 X0847</p>	<p>Track RHT 308 (recessed horizontal all metal) w/ Shim 22' GRAY Track Housing RHT 308 Bottom Piece 22' GRAY Track RHT 308 (all metal) Top Piece 22' GRAY Spacer for RHT 308 22' GRAY</p>
	<p>A2143 A2145 A2200 A2141 A0257 X0865</p>	<p>Track package RHT 308 (4 guides, pulleys, guide feed, etc.) GRAY Track Package RHT 308 w/ Protector (4 guides, pulleys, guide feed, etc.) GRAY Parts Kit Track Hardware for RHT 308 (recessed horizontal) (endcaps, guide feed, etc.) GRAY Pulley Endcap RHT 308 (recessed horizontal L & R) GRAY Guide Feed RHT-S (Screw-down) SET Protector for RHT 308 22' White</p>
	<p>X0117 A0826</p>	<p>Track RHT-S, Screw-down (no housing) 22 ft Track and Housing RHT-S, Screw-down 22 ft</p>
	<p>A0825 A1794 A1496</p>	<p>Track Package RHT-S Screw-down (4 guides, pulleys, guide feed, housing, etc.) Top Track Horizontal Flush Deck, Screw-down Hardware Kit Pulley Endcap Assembly RHT-S Screw-down SET Rev. 305</p>
	<p>A2368</p>	<p>RHT 308 Curved Track, Housing, Splice 3' Set of 2 GRAY</p>
	<p>A0021 X0585 X0586 X0587</p>	<p>Slim Flush Track - Guide and Housing Assembly Slim Flush Track - Housing Slim Flush Track Slim Flush Track - Spacer 22' GRAY</p>
	<p>A0009 A0005 A0006 M9797 M0015</p>	<p>Slim Flush Track Hardware Kit Slim Flush Guide - End Pulley Assembly Slim Flush Guide - Guide Feed with Pulley Stop TT 403 L Shaped SS Slim Flush Track Splice</p>

Competitors Hardware

	<p>RA1034</p>	<p>Cover Pools Guide Feed TT L & R NET SET</p>
	<p>RP1036 RP1037</p>	<p>Cover Pools UT Slider w/ Plate LEFT Cover Pools UT Slider w/ Plate RIGHT</p>
	<p>A4020</p>	<p>Cover Pools Rotary Encoder Assembly</p>
	<p>RP8075</p>	<p>Aquamatic Universal Screw-on Slider w/ 4 Screws</p>
	<p>RP8073 RP8074 RP8064 RP8063</p>	<p>Aquamatic TT Guide Feed LEFT Aquamatic TT Guide Feed RIGHT Aquamatic UT Guide Feed LEFT Aquamatic UT Guide Feed RIGHT</p>
	<p>UT1013</p>	<p>PCS Split Guide Kit UT for Old Style Channel Track (Plastic)</p>
	<p>RP1041</p>	<p>PCS TT Guide Kit SS</p>
	<p>RP1038</p>	<p>PCS Outside Slider</p>
	<p>A3550</p>	<p>Rotary Limit for Infinity 4000</p>

Conversion Kits



A1042	Track Conversion Package, TT 20' Anodized 2-1/2" LE (track, LE, track hardware, wheel assembly)
A1043	Track Conversion Package, TT 24' Anodized 2-1/2" LE (track, LE, track hardware, wheel assembly)
A1040	Track Conversion Package UT 24' Anodized 2-1/2" LE (track, LE, track hardware, LE insert assembly)
A1058	Track Conversion Package 403 UT 42' 20' LE (track, 3" tube, track hardware, LE insert assembly)
A1054	Track Conversion Package 403 TT 44' 20' LE (track, 3" tube, track hardware, LE insert assembly)
A1039	Track Conversion Package UT 20' Anodized 2-1/2" LE (track, tube, track hardware, LE insert assembly)
A0695	PCS to Coverstar Motor Conversion Kit (8 spacers, 4 bolts, 4 washers)

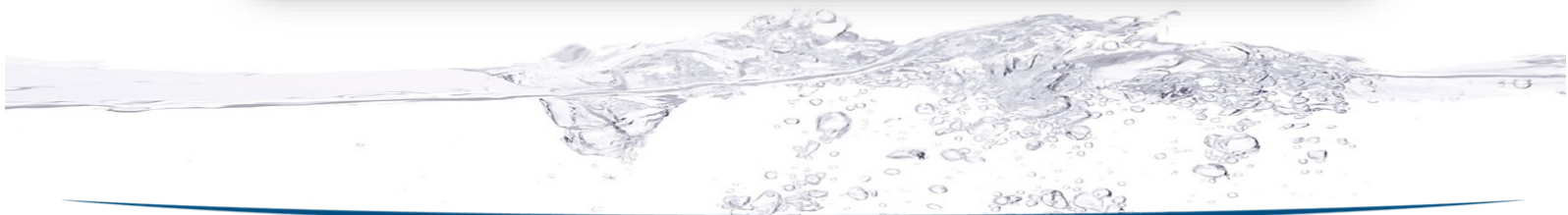
Hydraulic Motors & Hardware

	<p>A0698 A0699 A0700</p>	<p>Hydraulic Motor 8 cu in 30 rpm sqft > 800 w/ Hardware Hydraulic Motor 10 cu in sqft > 2000 w/ Hardware Hydraulic Motor 12 cu in (special order only) w/ Hardware</p>
	<p>A3100 A3200</p>	<p>2016 Hydraulic Power Pack Assembly 220V Power Pack with Relay Assembly</p>
	<p>E0301 A3481</p>	<p>2016 Hydraulic Motor Feature Control Multi Valve Board</p>
	<p>A1848</p>	<p>Hydraulic Motor Coupler Assembly Eclipse</p>
	<p>44002 D0039</p>	<p>Hydraulic Hoses w/ Fittings (2 hoses included) Per ft Hydraulic Hose Synflex Per ft STD</p>
	<p>D0040</p>	<p>Hydraulic Hose Fitting for Synflex Female JIC STD</p>
	<p>D0047</p>	<p>Hydraulic Power Pack Dipstick Pre-2012</p>



Motors & Motor Controllers



	A3361	Standard 3-wire Motor with Limit Control
	E2000 E1028	Latham AC Motor 115VAC SS Sealed Motor Assembly 3-wire 30 RPM HEAVY DUTY 2006
	A0712 A1921 A0610	Motor Bison Wire 30 RPM HEAVY DUTY w/ Eclipse Motor Mounting Bracket Motor & Housing w/ Bison 3-Wire HD w/ CS1800 Motor Mounting Bracket Motor & Housing w/ Bison 3-wire STD w/ CS1800 Motor Mounting Bracket
	E1058	Gear Motor 3/4 HP 3-Wire Tuck Under
	A3360	3-Wire Limit Control and Sensor
	A3317	Feature Control Assembly for Electric Motors



Electrical Controls

	A0605	Control Switch Assembly Complete w/ Light STD
	A2469-A	Standard Touch Pad Assembly
	A2524 A2529 A2525 A2520 A2519 A2523 A2463	Wireless Touch Pad with Feature Control Wireless Touch Pad with Host Remote Touch Pad Host Assembly LV Touch Pad with WIFI LV Touch Pad LV Touch Pad RF Module Touch Pad with WiFi
	A0608	Control Switch Assembly - Toggle Rocker
	A0585	Feature Control Assembly
	E0447	Limit Switch Sensor for Circuit Board (Black) N.O. Hamilton 59145-010 (use w/ Magnet E0452) STD
	E1137	Communications Module PCA
	A0065 A0066 A3640	Eclipse Rotary Encoder CS300HD Rotary Encoder CS3000 Encoder Assembly

1 Piece Reusable Coping Forms

	X0743 A1578 A1735 A1252 A1254	Coping Form 403 Inclined 6 ft. Coping Form 403 Inclined 6 ft. w/ Splice & 3 Spacers Coping Form Hardware Kit for Inclined 403 Coping Form Kit 403 Reusable Inclined 20 x 40 Coping Form Kit 403 Reusable Inclined 22 x 50
	X0719 A1577 A1736 A1145 A1253	Coping Form 403 Cantilever 6 ft. Coping Form 403 Cantilever 6 ft. w/ Splice & 3 Spacers Coping Form Hardware Kit for Cantilever Coping Form Kit 403 Reusable Cantilever 20 x 40 Coping Form Kit 403 Reusable Cantilever 22 x 50



2 Piece Reusable Coping Forms

	<p>A0995</p>	<p>Coping Form Cantilever Kit for 2 Piece Set for 20 x 40 w/ Corners (no hardware)</p>
	<p>A0992</p>	<p>Coping Form Support Plate 2 Piece Kit 403 for 20 x 40 w/ Hardware</p>
	<p>A1734</p>	<p>Coping Form Support Plate Hardware Kit 2 Piece</p>
	<p>X0691</p>	<p>Coping Form Cantilever Top Piece Only 6' Used w/ 403 or 801 Support Plate</p>
	<p>A1080</p>	<p>Coping Form Support Plate for 403 w/ 3 Spacers, 3 Clamps, 1 Splice</p>

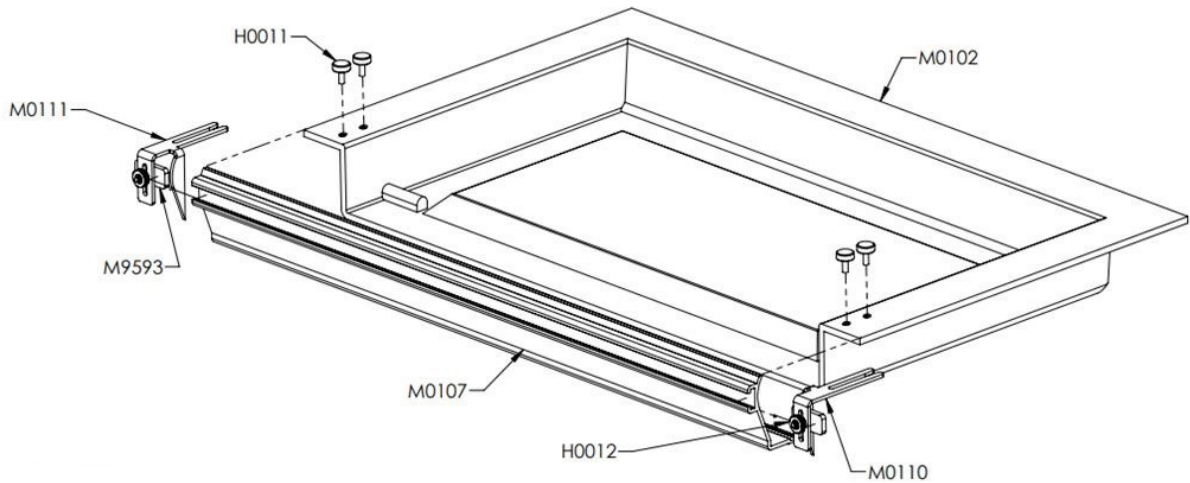
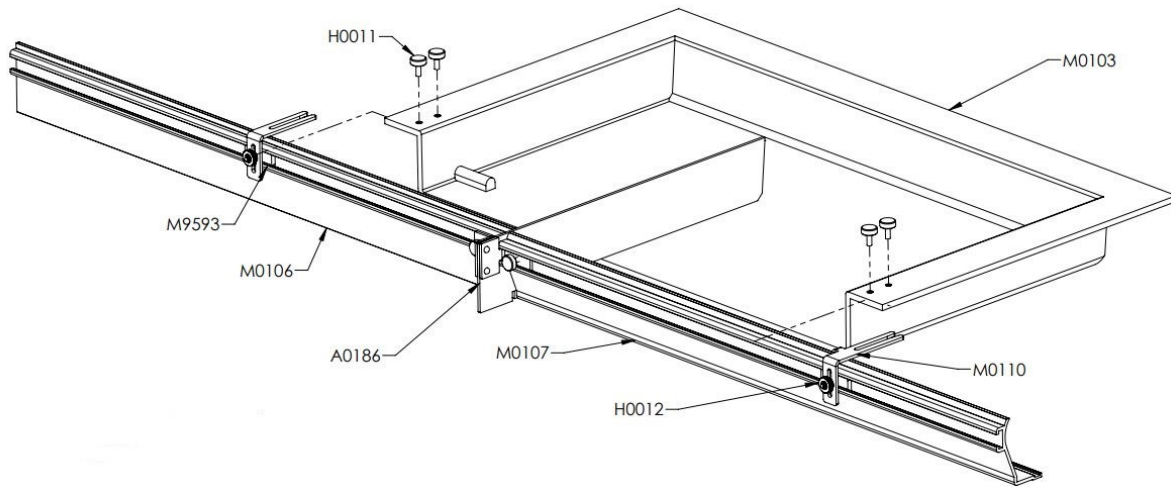


Box Perimeter & Lid Forming

A1125	Box perimeter forming encapsulation and brackets kit for VL pool, 14 in. box up to 24 ft. Use w/ box perimeter forming kit
A1368	Box perimeter forming encapsulation and brackets kit for VL pool 14 in. box 4 ft. add-on extension kit
A1968	Box perimeter forming encapsulation and brackets kit for variable lid thicknesses VL pool 14 in. box up to 24 ft. Use when lid thickness requires vertical adjustment
A1419	Box perimeter forming encapsulation and brackets kit for variable lid thicknesses gunite pool 14 in. box up to 24 ft. (Consumables) Use when lid thickness requires vertical adjustment
A1489	Box perimeter forming encapsulation and brackets kit for Gunite pool 14 in. box up to 24 ft. (Consumables) Use with box perimeter forming kit
A1532	Box perimeter forming encapsulation and brackets kit for Gunite pool 14 in. box 4 ft. add-on extension kit
A1150	Box Perimeter Reusable Forming Kit 2-1/2" Used w/ 1 Piece Coping Forms 24' Box (order lid perimeter encapsulation and brackets separately)
X0695	Box form 2-1/2 in. vertical extrusion 6 ft. length

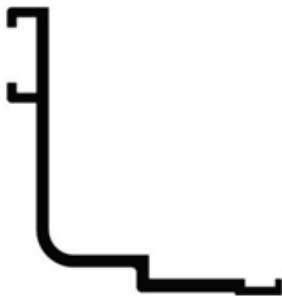
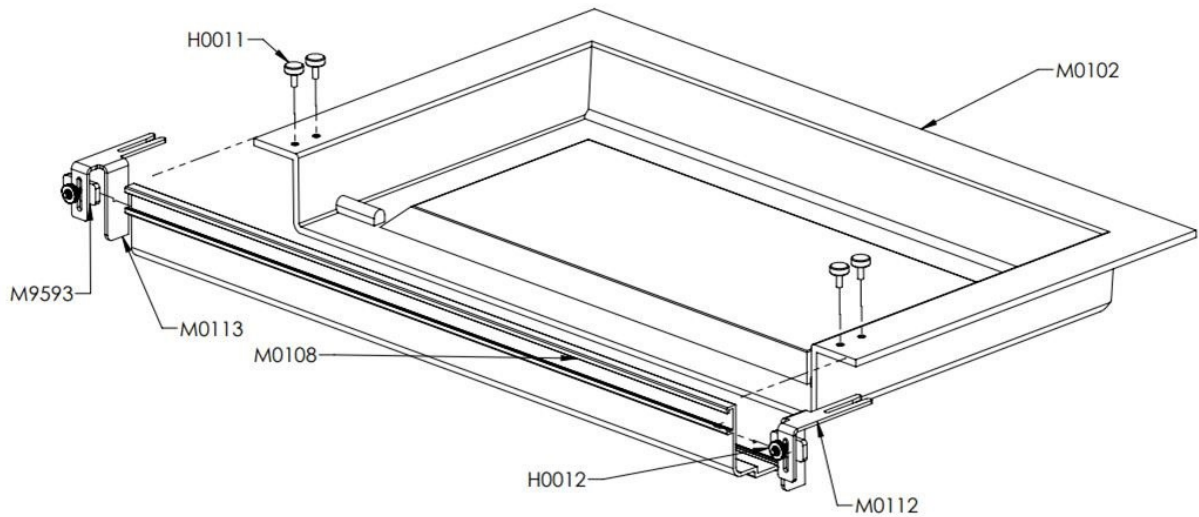
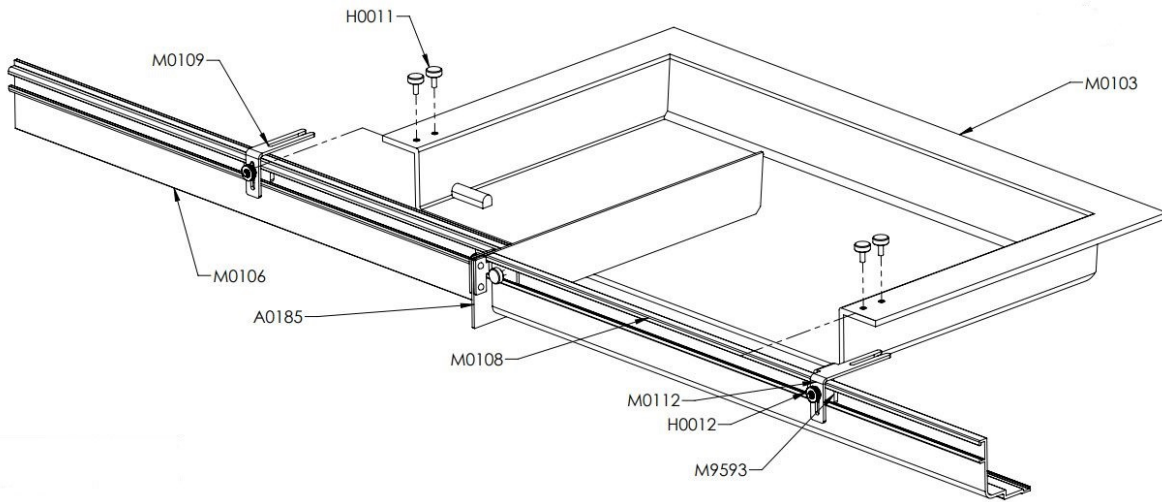


Lid Forming Molds & Kits - Inclined



A1021	Inclined Formed Lid Mold
A1028	Lid Forming Inclined Adjustable Divided Mold
M0110	Inclined Lid Forming Retainer Bracket RIGHT
M0111	Inclined Lid Forming Retainer Bracket LEFT
M0107	403 Inclined Deck Form 28" L (X0743)
A2275	Inclined Lid Forming Kit
A1119	Box Perimeter & Lid Forming Inclined 1 Piece

Lid Forming Molds & Kits- Cantilever



A1024	Cantilever Formed Lid Mold
A1027	Lid Forming Cantilever Adjustable Divided Mold
M0112	Cantilever Lid Forming Retainer Bracket RIGHT
M0113	Cantilever Lid Forming Retainer Bracket LEFT
M0108	403 Cantilever Deck Form 28" L (X0719)
A2276	Cantilever Lid Forming Kit
A1120	Box Perimeter & Lid Forming Cantilever 1 Piece

Lid Descenders & Transition Pieces UT

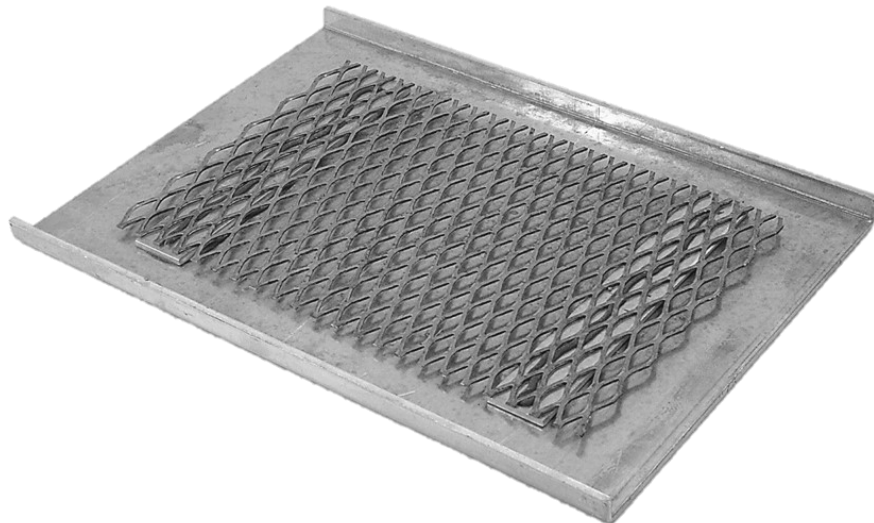
	A1752	Descender Kit NO PROFILE (Metal C-Cap) for Flush Lid Panels up to 20' TS
	A1111 A1110 A1112	Descender Kit Bullnose for Flush Lid Panels up to 22' TS Descender Kit Rounded for Flush Lid Panels up to 22' TS Descender Kit Inclined for Flush Lid Panels up to 22' TS
	M9381	Coping Transition - Joins Inclined Coping Profile to Riser 309
	M9382	Coping Transition - Joins Bullnose Coping Profile to Riser 309
	M9388	Coping Transition - Joins Inclined Reusable Coping Form to Riser 309
	M9389	Coping Transition - Joins Cantilever Reusable Coping Form to Riser 309



Walk-on Tray Lids Aluminum

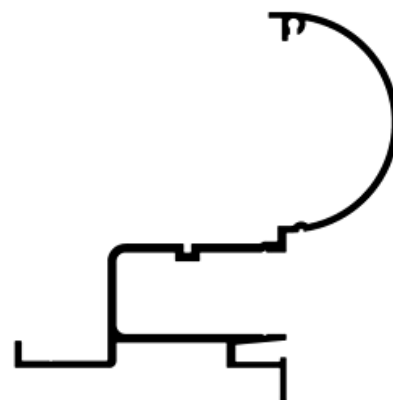


A0189	Lid Tray Walk-on Alum Mesh 14" x 23-3/4" (side w/ lip) 1 week
A0229	Lid Tray Walk-on Mesh 24" x 23-3/4" (side w/ lip) 1 week
A0230	Lid Tray Walk-on Mesh 24" x 17-3/4" (side w/ lip) 1 week
A0052	Lid Tray Walk-on Custom Size Specify Dimensions 1 week



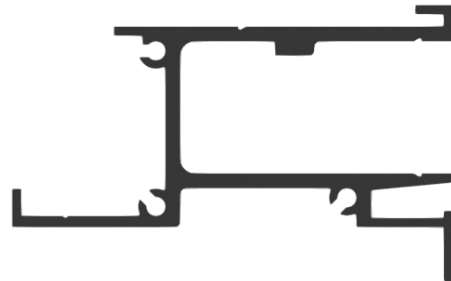
Corner Options - Bullnose

A2176	Corner One Piece Bullnose 2' Radius ME LEFT
A2177	Corner One Piece Bullnose 2' Radius ME RIGHT
A2178	Corner One Piece Bullnose 2' Radius NME
A2183	Corner One Piece Bullnose 3" Chopped ME LEFT
A2184	Corner One Piece Bullnose 3" Chopped ME RIGHT
A2185	Corner One Piece Bullnose 3" Chopped NME
A2180	Corner One Piece Bullnose 6" Radius ME LEFT
A2181	Corner One Piece Bullnose 6" Radius ME RIGHT
A2182	Corner One Piece Bullnose 6" Radius NME
A2187	Corner One Piece Bullnose 90 Degree Corner ME LEFT
A2186	Corner One Piece Bullnose 90 Degree Corner ME RIGHT
A2179	Corner One Piece Bullnose 90 Degree Corner NME



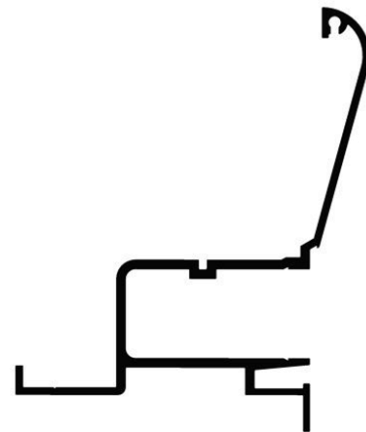
Corner Options - Vinyl Liner

A4102	Corner Kit 2' Radius for Vinyl Liner 4 Corners 418
A4101	Corner Kit 3" Chopped for Vinyl Liner 4 Corners 418
A4100	Corner Kit 6" Radius for Vinyl Liner 4 Corners 418
A3949	Corner 2' Radius for Vinyl Liner ME LEFT 418
A3948	Corner 2' Radius for Vinyl Liner ME RIGHT 418
A3947	Corner 2' Radius for Vinyl Liner NME 418
A3946	Corner 2' Radius for Vinyl Liner NME LEFT w/ Support Brace 418
A3945	Corner 3" Chopped for Vinyl Liner ME LEFT 418
A3944	Corner 3" Chopped for Vinyl Liner ME RIGHT 418
A3943	Corner 3" Chopped for Vinyl Liner NME 418
A3942	Corner 6" Radius for Vinyl Liner ME LEFT 418
A3941	Corner 6" Radius for Vinyl Liner ME RIGHT 418
A3940	Corner 6" Radius for Vinyl Liner NME 418



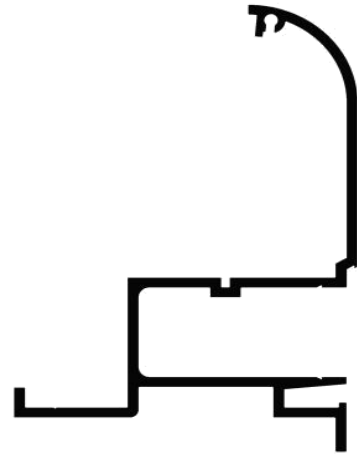
Corner Options - Inclined

A2156	Corner One Piece Inclined 2' Radius ME LEFT
A2157	Corner One Piece Inclined 2' Radius ME RIGHT
A2158	Corner One Piece Inclined 2' Radius NME
A2163	Corner One Piece Inclined 3" Chopped ME LEFT
A2162	Corner One Piece Inclined 3" Chopped ME RIGHT
A2164	Corner One Piece Inclined 3" Chopped NME
A2159	Corner One Piece Inclined 6" Radius ME LEFT
A2160	Corner One Piece Inclined 6" Radius ME RIGHT
A2161	Corner One Piece Inclined 6" Radius NME
A2188	Corner One Piece Inclined 90 Degree Corner ME LEFT
A2189	Corner One Piece Inclined 90 Degree Corner ME RIGHT
A2165	Corner One Piece Inclined 90 Degree Corner NME

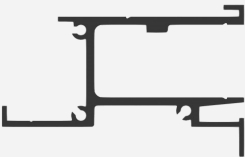

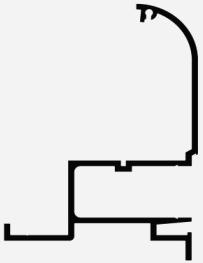
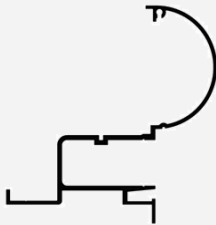
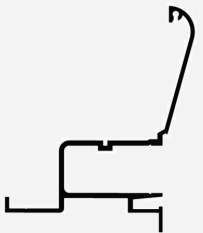
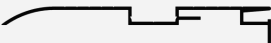


Corner Options - Rounded

A2103	Corner One Piece Rounded 2' Radius ME LEFT
A2102	Corner One Piece Rounded 2' Radius ME RIGHT
A2104	Corner One Piece Rounded 2' Radius NME
A2105	Corner One Piece Rounded 3" Chopped ME LEFT
A2153	Corner One Piece Rounded 3" Chopped ME RIGHT
A2155	Corner One Piece Rounded 3" Chopped NME
A2108	Corner One Piece Rounded 6" Radius ME LEFT
A2107	Corner One Piece Rounded 6" Radius ME RIGHT
A2109	Corner One Piece Rounded 6" Radius NME
A2192	Corner One Piece Rounded 90 Degree Corner ME LEFT
A2193	Corner One Piece Rounded 90 Degree Corner ME RIGHT
A2105	Corner One Piece Rounded 90 Degree Corner NME


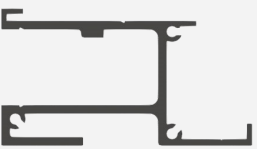


Vinyl Liner Coping & Encapsulation Kits



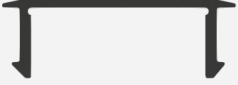



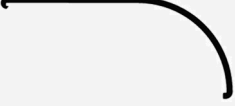

	<p>X1650 A5030 A5031 A5032 A5033 A5034</p>	<p>Encapsulation Vinyl Liner 21' Piece 418 Encapsulation Kit 12 x 24 Vinyl Liner 418 Encapsulation Kit 16 x 32 Vinyl Liner 418 Encapsulation Kit 18 x 36 Vinyl Liner 418 Encapsulation Kit 20 x 40 Vinyl Liner 418 Encapsulation Kit 22 x 50 Vinyl Liner 418</p>
	<p>X0804 A1244 A1247 A0703 A1250</p>	<p>Coping Clip-on 805 Rounded Edge 21' Piece Coping Clip-on Kit Rounded Edge 16 x 32 Coping Clip-on Kit Rounded Edge 18 x 36 Coping Clip-on Kit Rounded Edge 20 x 40 Coping Clip-on Kit Rounded Edge 22 x 50</p>
	<p>X0954 X0955 A2846 A2880 A2084 A2083 A2086 A2247</p>	<p>Coping Rounded Edge 12' 2" Piece Coping Rounded Edge 16' 2" Piece Coping Kit Rounded 4" Tall 10 x 20 (corners required) Coping Kit Rounded 4" Tall 14 x 28 (corners required) Coping Kit Rounded 4" Tall 16 x 32 (corners required) Coping Kit Rounded 4" Tall 18 x 36 (corners required) Coping Kit Rounded 4" Tall 20 x 40 (corners required) Coping Kit Rounded 4" Tall 22 x 50 (corners required)</p>
	<p>X0947 X0948 A1214 A2087 A2089 A2088 A2250</p>	<p>Coping Bullnose 16' 2" Piece Coping Bullnose 12' 2" Piece Coping Kit Bullnose 4" Tall 12 x 24 (corners required) Coping Kit Bullnose 4" Tall 16 x 32 (corners required) Coping Kit Bullnose 4" Tall 18 x 36 (corners required) Coping Kit Bullnose 4" Tall 20 x 40 (corners required) Coping Kit Bullnose 4" Tall 22 x 50 (corners required)</p>
	<p>X0956 X0957 A1211 A2078 A2077 A2079 A2248</p>	<p>Coping Inclined 16' 2" Piece Coping Inclined 12' 2" Piece Coping Kit Inclined 4" Tall 12 x 24 (corners required) Coping Kit Inclined 4" Tall 16 x 32 (corners required) Coping Kit Inclined 4" Tall 18 x 36 (corners required) Coping Kit Inclined 4" Tall 20 x 40 (corners required) Coping Kit Inclined 4" Tall 22 x 50 (corners required)</p>
	<p>X0945</p>	<p>Wall Cap 309 w/ VL 20' 1" Painted</p>

Gunite & Fiberglass Encapsulation Kits



	<p>X1651 A5010 A5011 A5012 A5013 A5014 A5015</p>	<p>Encapsulation Gunite 21' 418 Encapsulation Kit 10 x 20 Gunite 418 Encapsulation Kit 12 x 24 Gunite 418 Encapsulation Kit 16 x 32 Gunite 418 Encapsulation Kit 18 x 36 Gunite 418 Encapsulation Kit 20 x 40 Gunite 418 Encapsulation Kit 22 x 50 Gunite 418</p>
	<p>X1953 A5020 A5021 A5022 A3523</p>	<p>Encapsulation Fiberglass 21' 418 Encapsulation Kit 12 x 24 Fiberglass 418 Encapsulation Kit 16 x 32 Fiberglass 418 Encapsulation Kit 16 x 40 Fiberglass 418 Fiberglass 90 Degree NME Corner 418</p>

Hardware for Encapsulation Kits

	X0091	Spacer for Encapsulation for VL & Fiberglass
	X0092	Spacer for Encapsulation - Gunite
	X0125	Encapsulation Filler Metal 10' for 801 and 403
	X0175	Encapsulation Filler Metal 2018
	A0407 A1729	Bracket Encapsulation UT Track Retainer SET Encapsulation Hardware Kit (60 Pk anchors, 30 Pk screws)
	A1749 M9882	Coping Joint Clip Splice 2005 Inclined Coping 12 Pk Coping Joint Clip Splice 2005 Inclined Coping EA
	A1750 M9883	Coping Joint Clip 805 Rounded 12 Pk Coping Joint Clip 805 Rounded Each
	A1748 M9881	Coping Joint Clip 805 Bullnose 12 Pk Coping Joint Clip 805 Bullnose Each

